

The recycling passport is valid for the following articles:

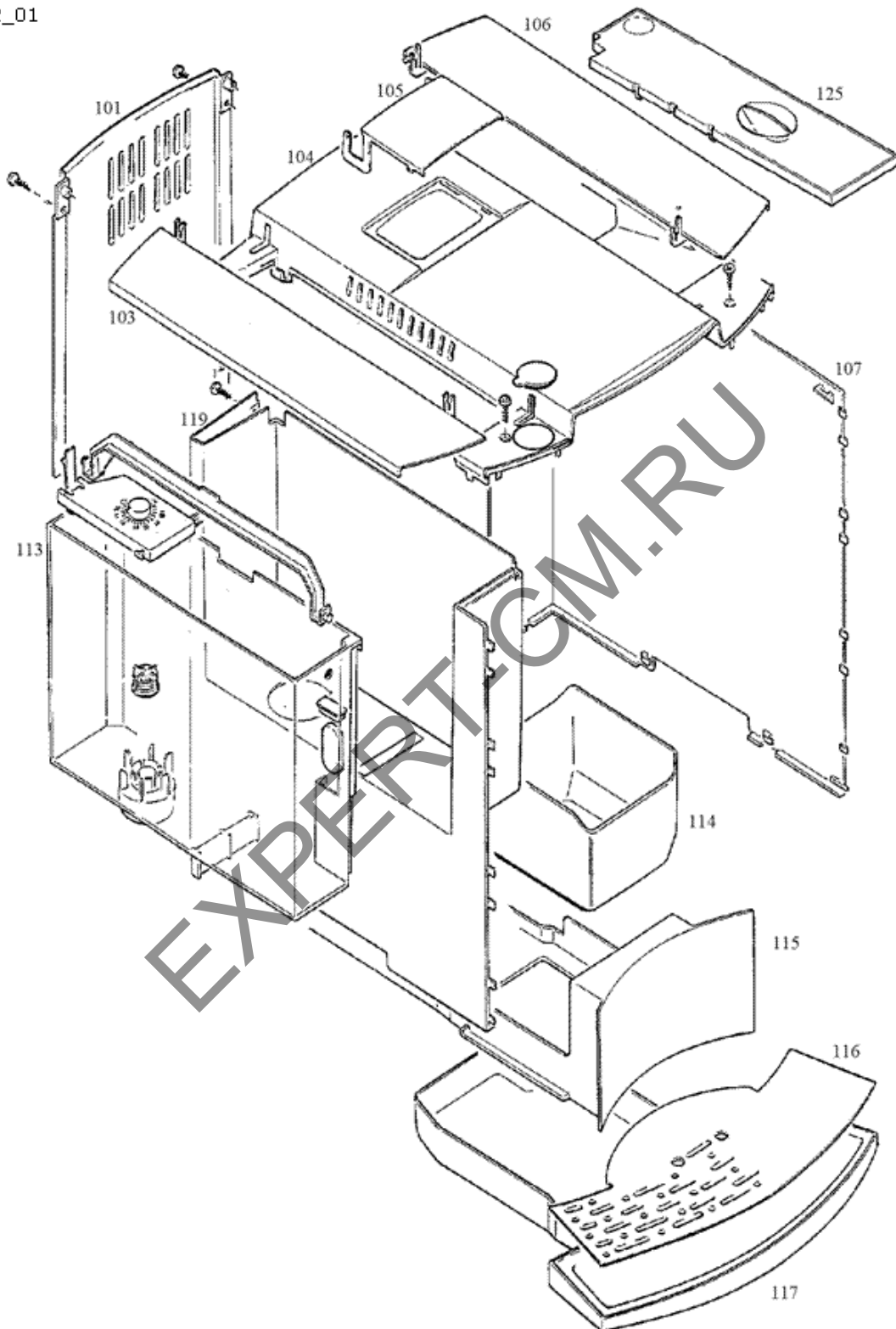
S13069	Impresa E60 black (CH)
S13070	Impresa E60 black (EU)
S13071	Impresa E40 blue (CH)
S13072	Impresa E40 blue (EU)
S13090	Impresa E65 platinum (EU)
S13091	Impresa E65 champagne (EU)
S13092	Impresa E65 platinum (CH)
S13093	Impresa E65 zicon (EU)
S13094	Impresa E65 zicon (CH)
S13145	Impresa E40 white (A)
S13150	Impresa E44 black (CH)
S13151	Impresa E40 black (EU)
S13178	Impresa E45 platinum (EU)
S13197	Impresa E40 black (CH)

The Variant designations mean:

EXPERT-CM.RU

(1) Case components and water tank

S13192_01

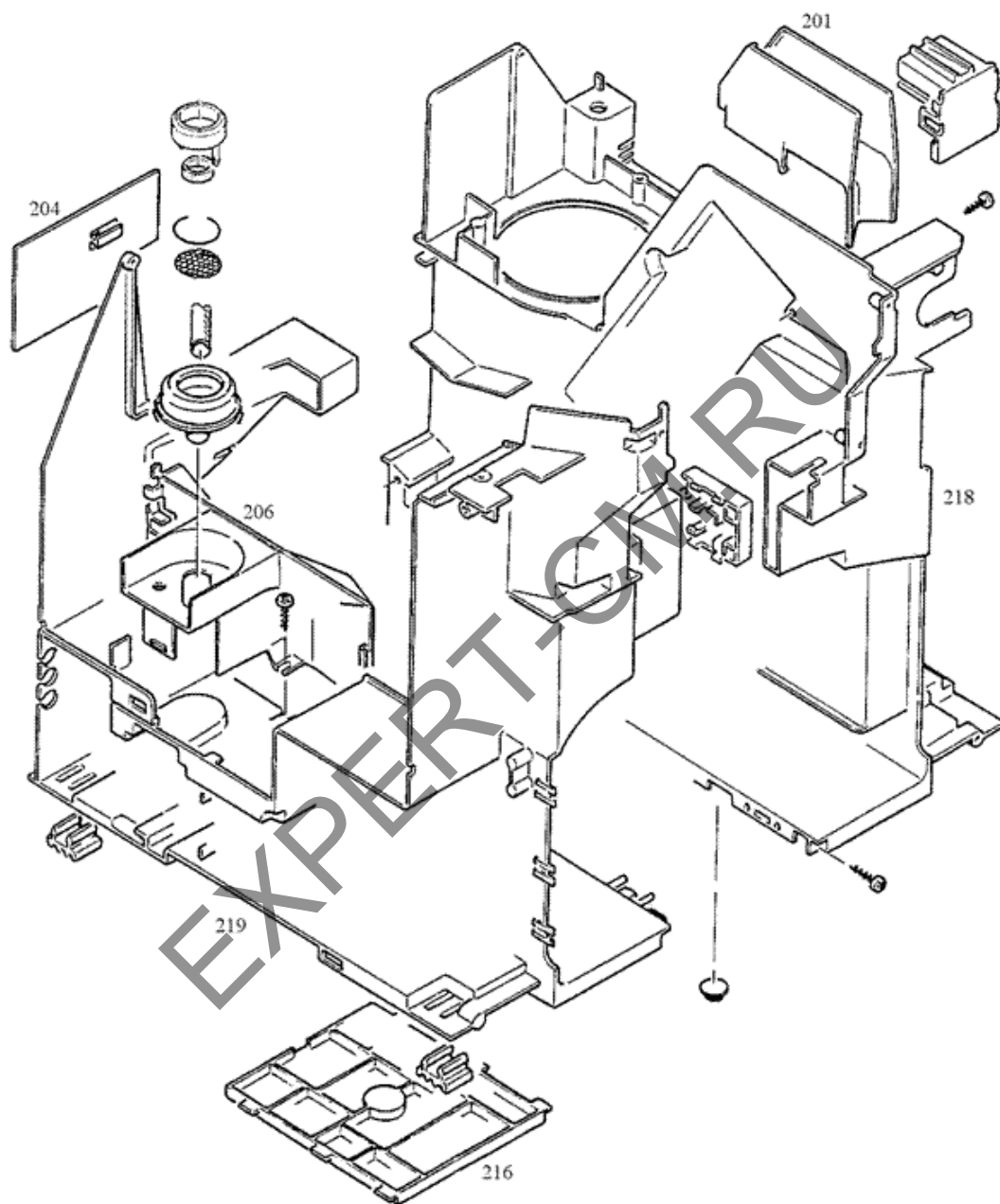


Pos	Designation	Material	Disassembly	Disposal	Variation	Return
0101	Back black	Plastic				
0103	Tank lid black	ABS				
0104	Cover housing black	Plastic				
0105	Powder funnel lid black	Plastic				
0106	Bean container lid black	ABS				
0107	Right side section black	ABS				
0113	Watertank with bracket cpl.	Plastic				
0114	Used ground container black	ABS				
0115	Used ground pan black	ABS				
0116	cup platform anodized E-line	AL			x	
0116	cup platform inox E-line	High-grade steel			x	
0117	Drain pan black	ABS				
0119	Left side section black	ABS				
0125	Lid to preserve aroma	SAN				

EXPERT-CM.RU

(2) Case components

S13197_02

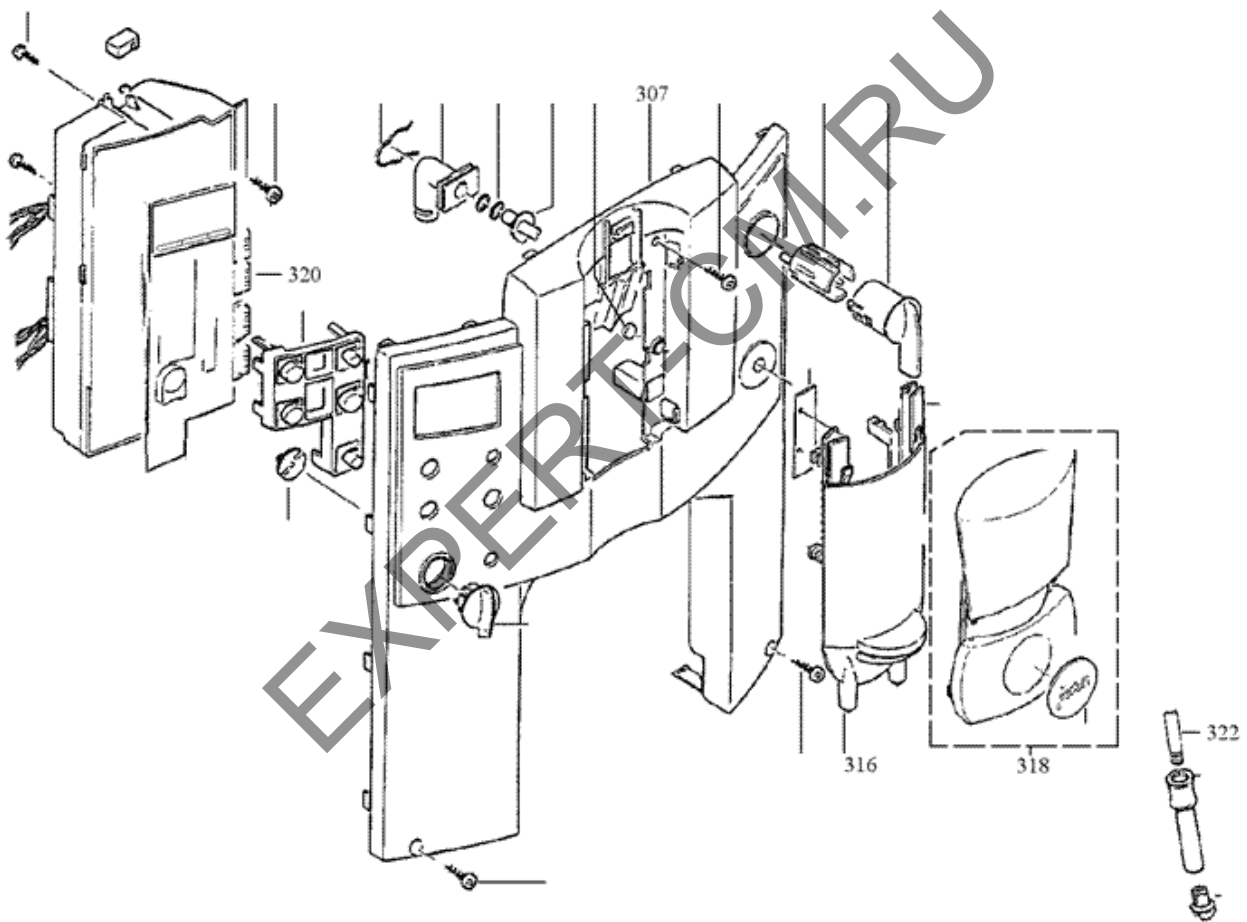


Pos	Designation	Material	Disassembly	Disposal	Variation	Return
0201	Input flow channel	PP				
0204	Funnel plate black	PP				
0206	Valve carrier black	ABS				
0216	Cover cable case	Plastic				
0218	Components support destra	ABS				
0219	Components support V2	ABS				

EXPERT-CM.RU

(3) Front cover

S13197_03

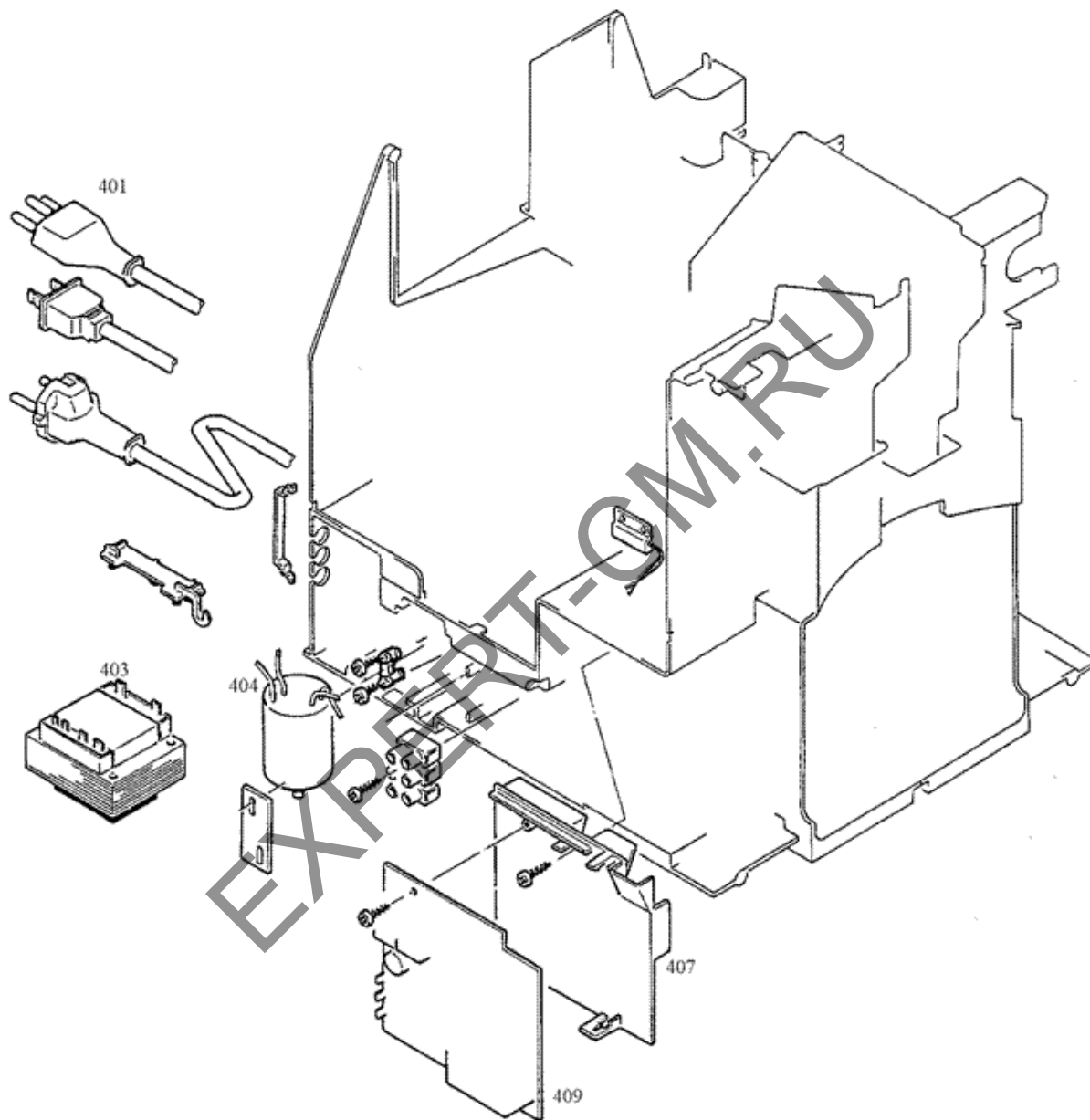


Pos	Designation	Material	Disassembly	Disposal	Variation	Return
0307	Front cover black printed	Plastic				
0316	Outlet gate metallic ready ass	ABS				
0318	Lid for outlet gate assembled	ABS				
0320	Electronic box assembled	Electronic				
0322	Discharge pipe chromium plate	Messing				

EXPERT-CM.RU

(4) Printed power circuit board

S13197_04

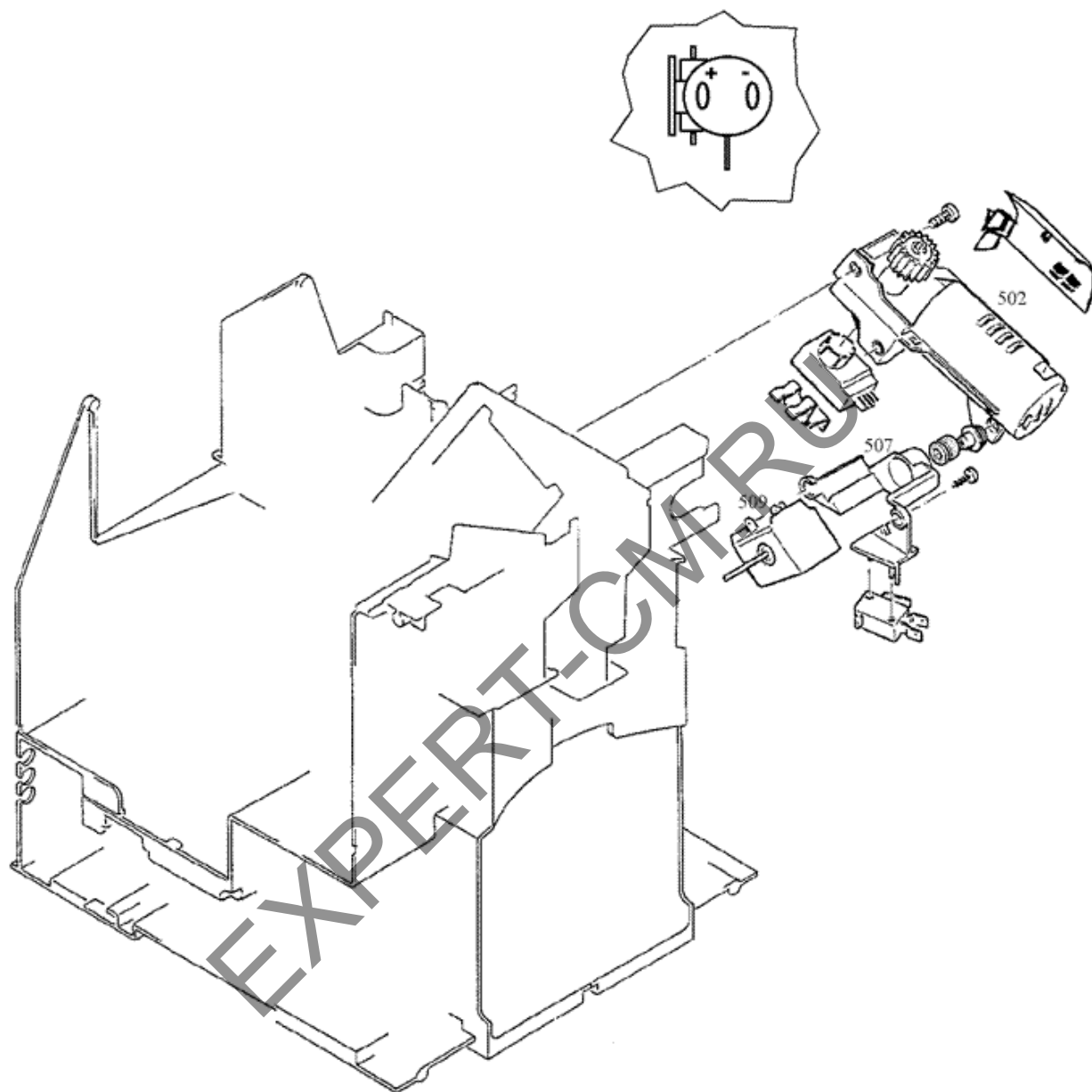


Pos	Designation	Material	Disassembly	Disposal	Variation	Return
0401	Incoming feeder sw RoHS	Copper / Gum				
0403	Transformer 230V	Electro				
0404	Interference eliminator ass.	Electro				
0407	Cable housing black	Plastic				
0409	Power pcb 230V	Electronic				

EXPERT-CM.RU

(5) Drive

S13197_05

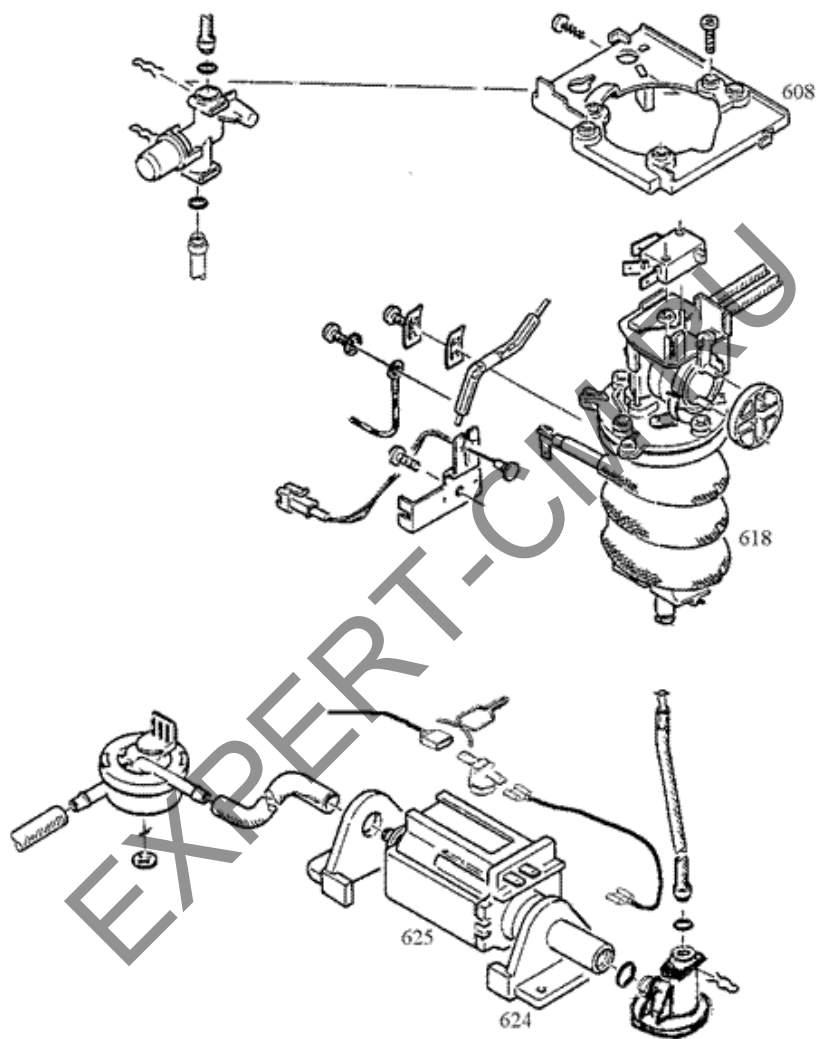


Pos	Designation	Material	Disassembly	Disposal	Variation	Return
0502	Geared motor E30 ass. RoHS	Electro / PPO				
0507	Drainage valve support	ABS				
0509	Magnet drainage valve IEC 230V	Copper / Steel / Plastic				

EXPERT-CM.RU

(6) Heater

S13197_06

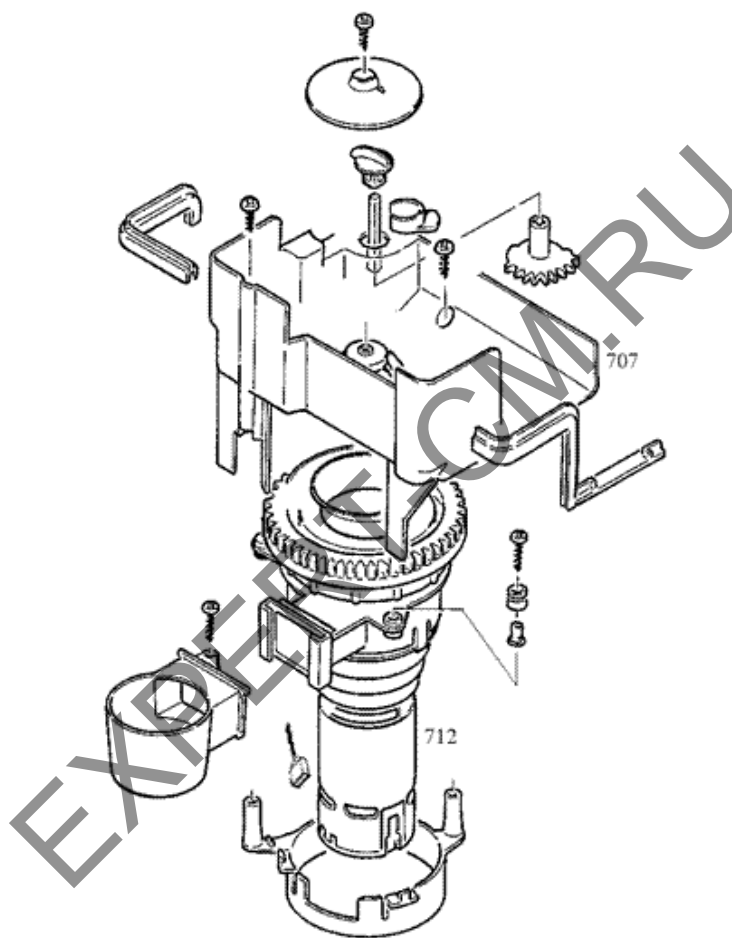


Pos	Designation	Material	Disassembly	Disposal	Variation	Return
0608	Heating cartridge carrier	PA				
0618	Heating cartridge 230v/1200w r	AL / High-grade steel / Plastic / Silicone / PEI / PA				
0624	Pump carrier version 2	Gum				
0625	Pump cp3a/st 230v 50hz 65w	Electro				

EXPERT-CM.RU

(7) Grinder

S13197_07

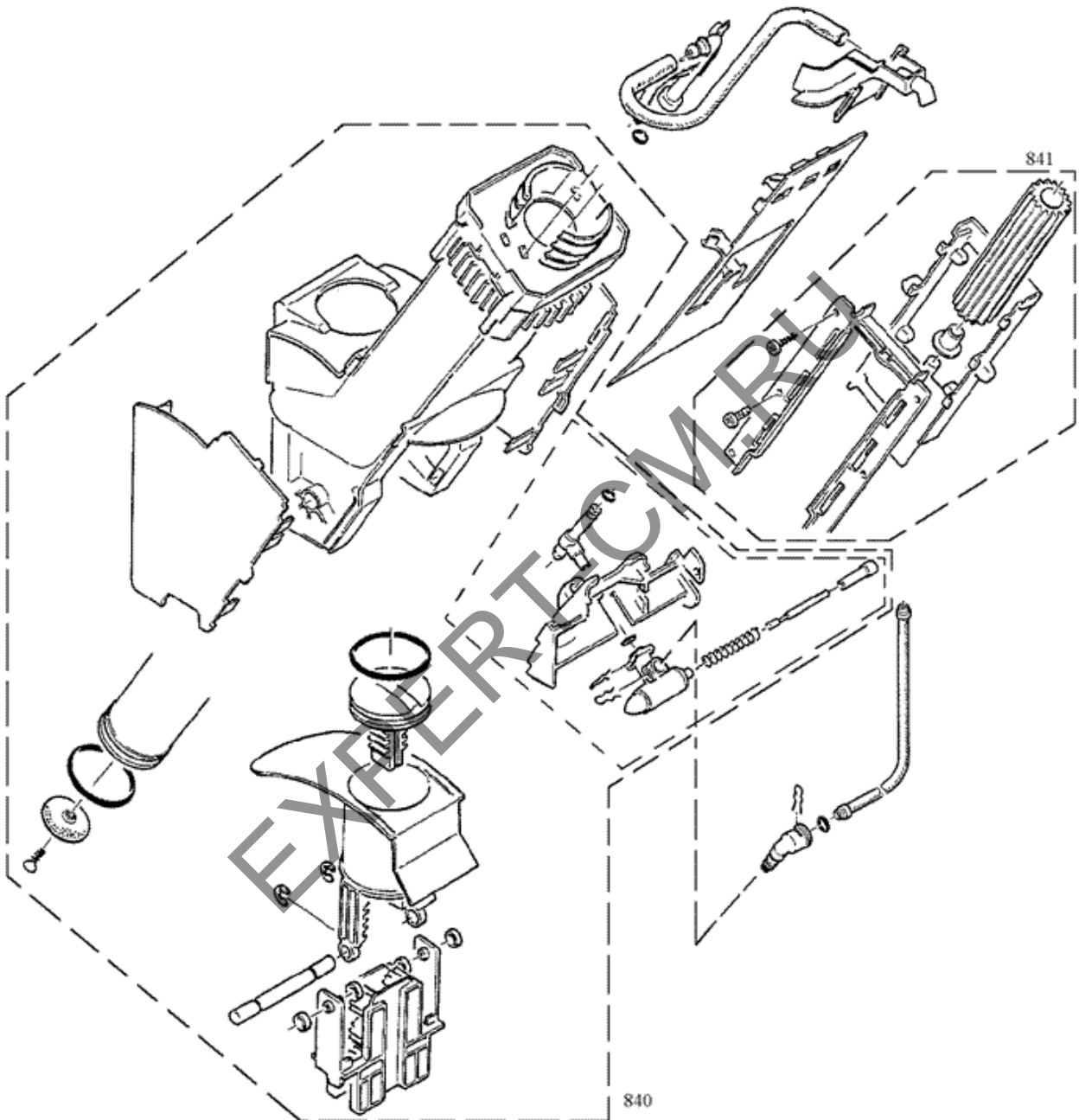


Pos	Designation	Material	Disassembly	Disposal	Variation	Return
0707	Bean container black printed	PP				
0712	Grinder unit 230V "choke"	Electro / POM / PA / NBR / Steel				

EXPERT-CM.RU

(8) Brew unit

S13197_08



Pos	Designation	Material	Disassembly	Disposal	Variation	Return
0840	Brew unit universal	POM / PA / Steel				
0841	Guide 114mm	AL / POM				

EXPERT-CM.RU