

The recycling passport is valid for the following articles:

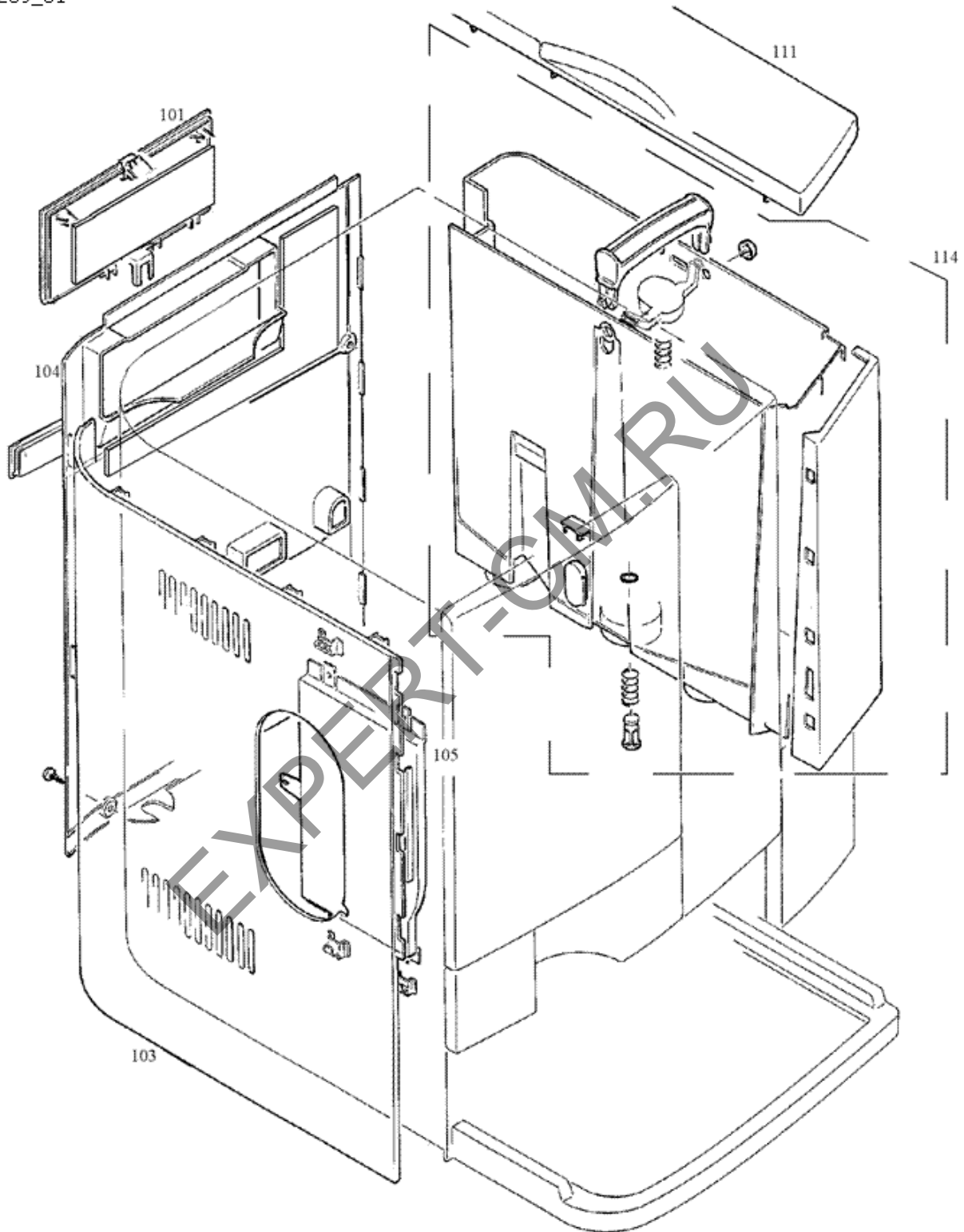
13209	Impresa X9 platinum (CH)
13210	Impresa X9 platinum (EU)
13213	Impresa X9 platinum NSF (UL)
13269	Impresa X9 chromium (CH)
13270	Impresa X9 chromium (EU)
13275	Impresa X9 platinum (JP)
13292	Impresa X9 platinum (CCC)
13295	Impresa X9 platinum (SE)
13348	Impresa X9 pianoblack (EU)
13371	Impresa X9 platinum NSF (UL)
13372	Impresa X9 platinum NSF (UL)
13389	Impresa X9 platinum (CH)
13390	Impresa X9 platinum (EU)
13391	Impresa X9 platinum (CCC)
13392	Impresa X9 platinum (JP)
13393	Impresa X9 chromium (CH)
13394	Impresa X9 chromium (EU)
13437	Impresa X9 platinum (SA)
13459	Impresa X9 platinum (SE)

The Variant designations mean:

EXPERT-CM.RU

(1) Case cover

S13209\_01

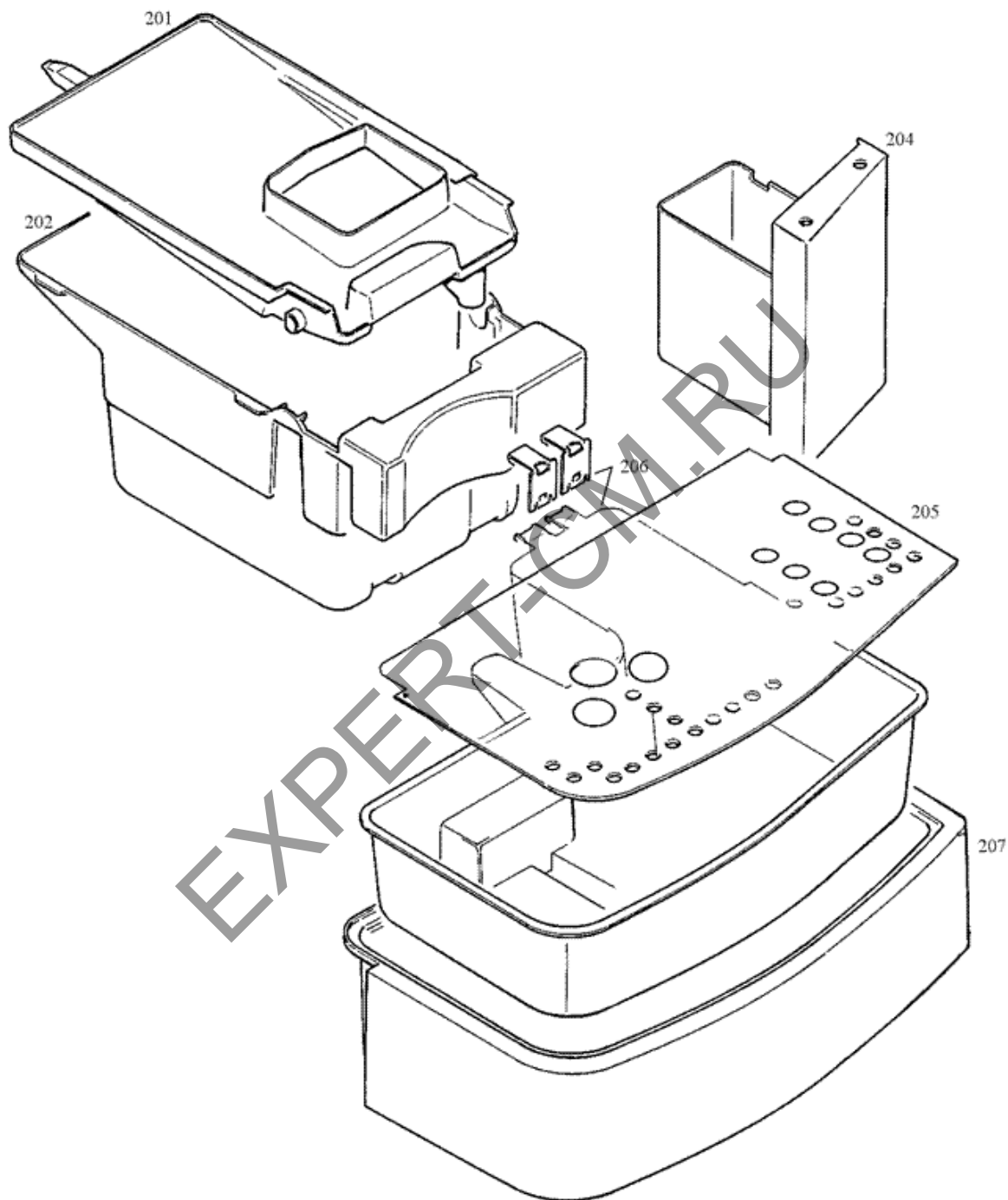


Pos	Designation	Material	Disassembly	Disposal	Variation	Return
0101	Lid black	ABS				
0103	Left side section black	ABS			x	
0103	Left side section black	ABS			x	
0104	Back black 2	ABS				
0105	Hinged cover left	ABS				
0111	Tank lid	ABS				
0114	Watertank assembled NSF	Plastic			x	
0114	Watertank big X7/X9 CLARIS Pro	Plastic			x	

EXPERT-CM.RU

(2) Pan

S13209\_02

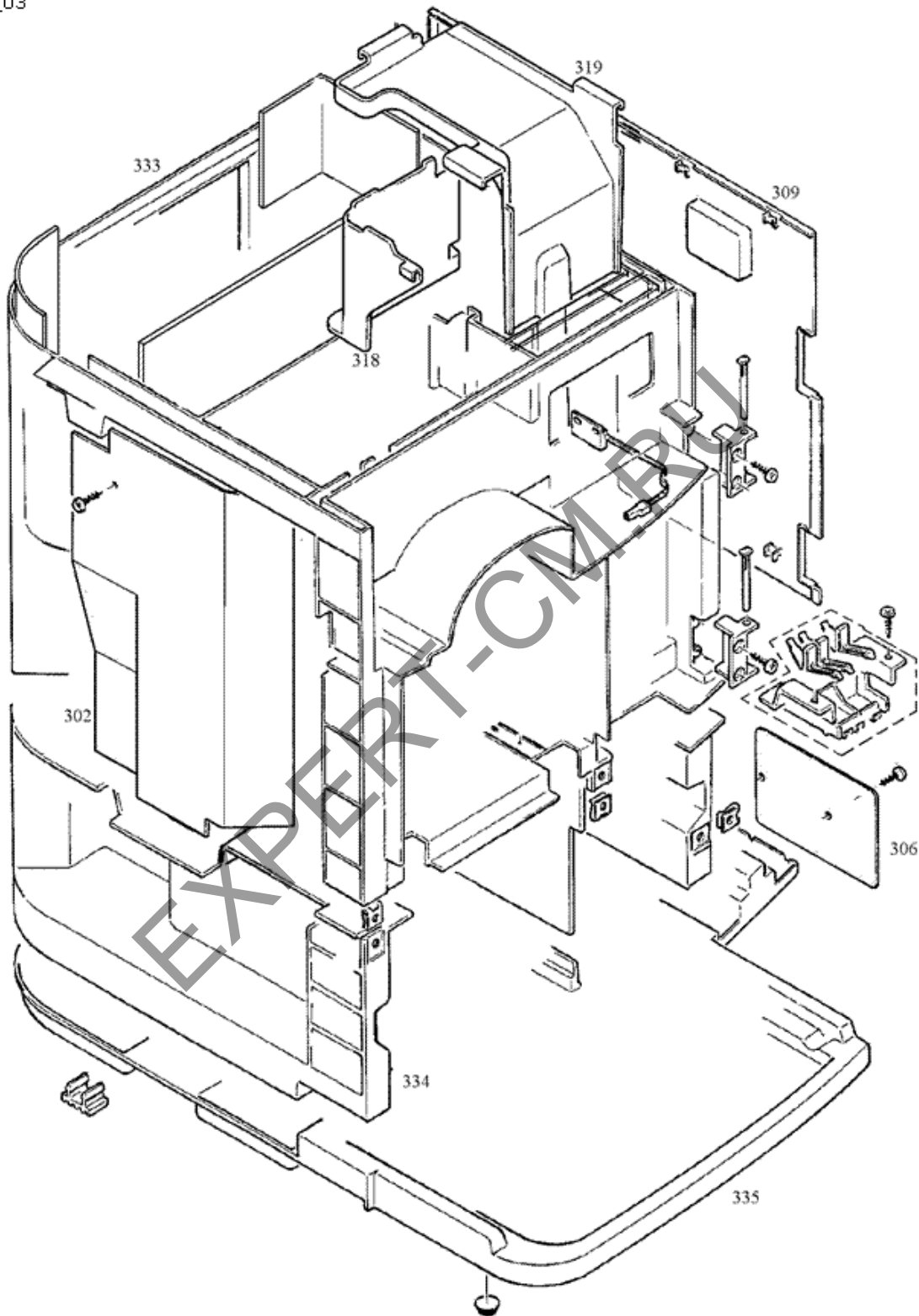


Pos	Designation	Material	Disassembly	Disposal	Variation	Return
0201	Used ground shield	PP				
0202	Used ground container black	PP				
0204	Coin drawer	ABS				
0205	cup grille chromed X9	High-grade steel				
0206	Drain pan assembled	PP / Steel				
0207	Tray	ABS				

EXPERT-CM.RU

### (3) Case components

S13209\_03

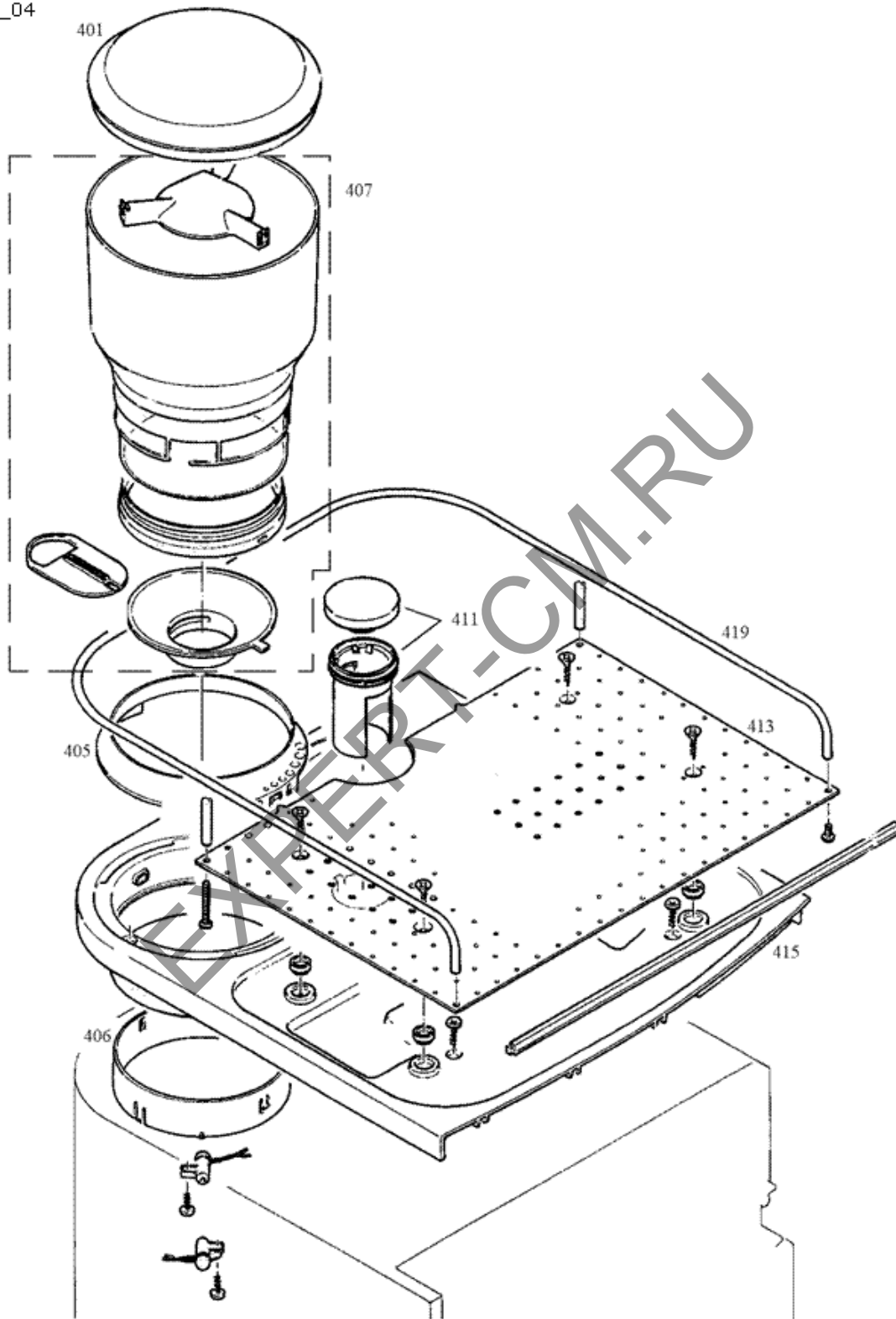


Pos	Designation	Material	Disassembly	Disposal	Variation	Return
0302	Protective wall brew unit	AL				
0306	Protective wall	ABS				
0309	Right side section	ABS / PC			x	
0309	Right side section black	ABS			x	
0318	Protective wall	ABS				
0319	Protective wall black	PP				
0333	Support X7/X9 above	ABS				
0334	Support X7/X9 bottom	ABS				
0335	Bottom	ABS / PC				

EXPERT-CM.RU

(4) Grinder case

S13209\_04



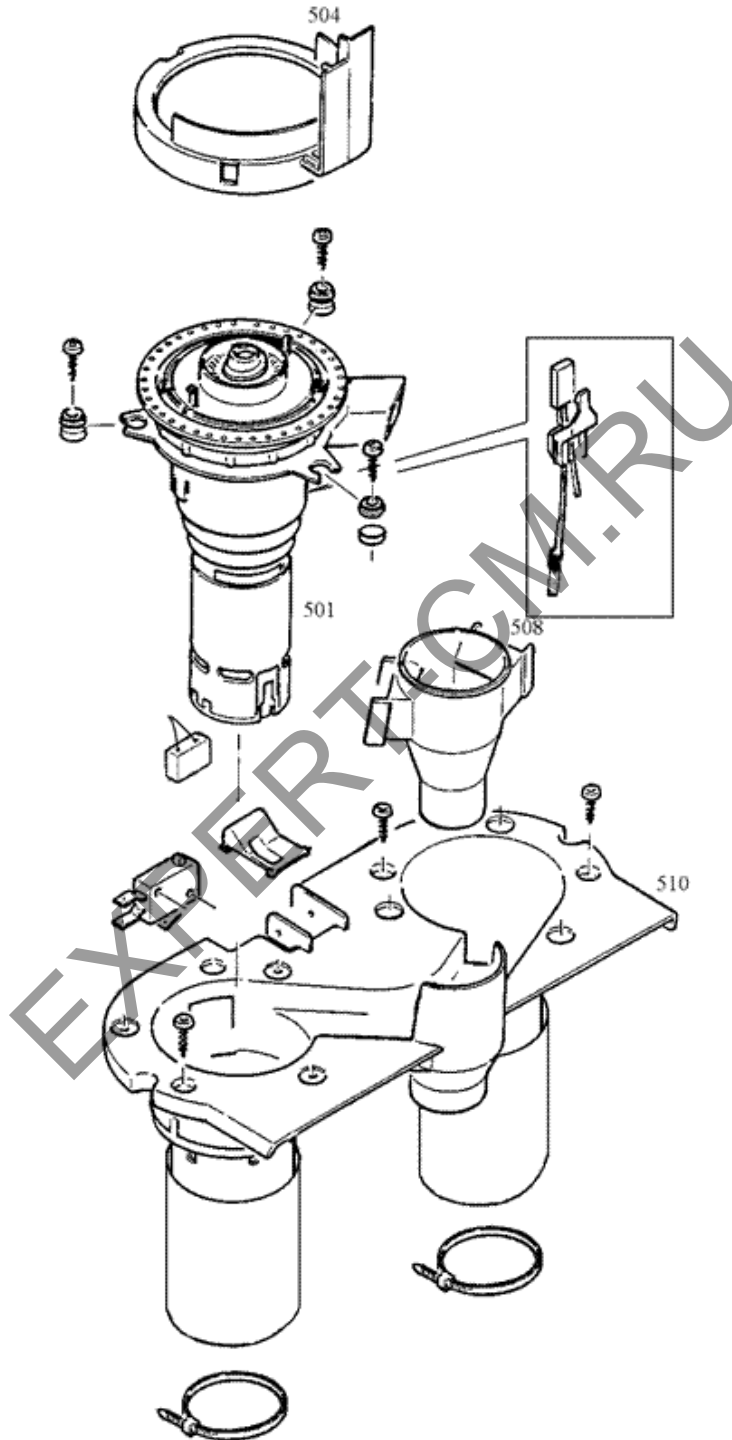


Pos	Designation	Material	Disassembly	Disposal	Variation	Return
0401	Bean container lid	ABS				
0405	Regulating wheel black	ABS				
0406	Bean container bolt black	ABS				
0407	Bean container	ABS / SAN / Silicone				
0411	Funnel	ABS				
0413	Cup support	High-grade steel				
0415	Cover on top V2	ABS				
0419	Rail for Impressa X9	High-grade steel				

EXPERT-CM.RU

(5) Grinder

S13209\_05

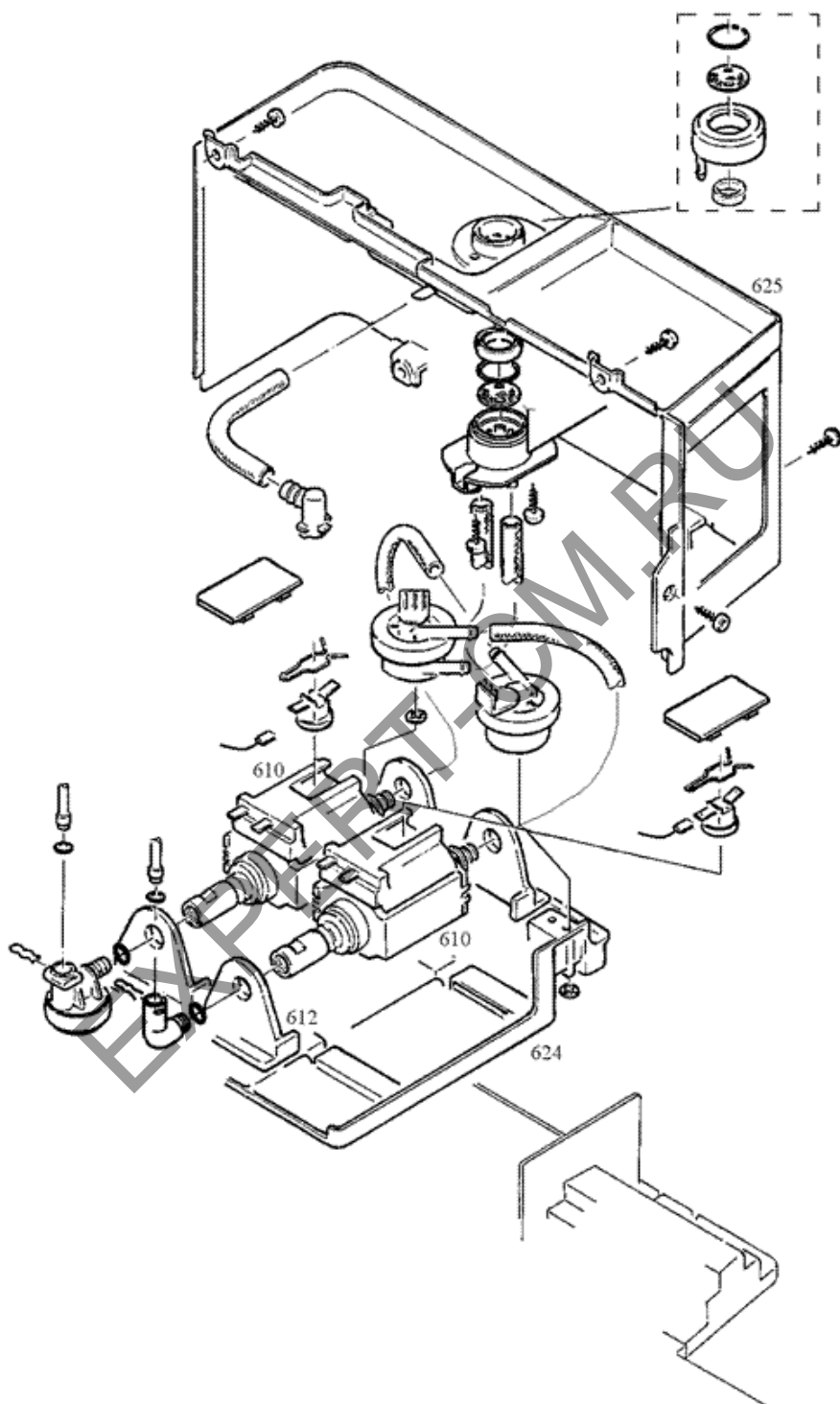


Pos	Designation	Material	Disassembly	Disposal	Variation	Return
0501	Grinder unit 230V X7/X9 RoHS	Electro / POM / PA / NBR / Steel / Messing			X	
0501	Grinder unit 120V V6	Electro / POM / PA / ABS / Steel			X	
0501	Grinder unit 100V V6	Electro / POM / PA / ABS / Steel			X	
0504	Regulating wheel black	PA				
0508	Funnel black	Silicone				
0510	Grinder support black	ABS				

EXPERT-CM.RU

### (6) Fluid system

S13209\_06

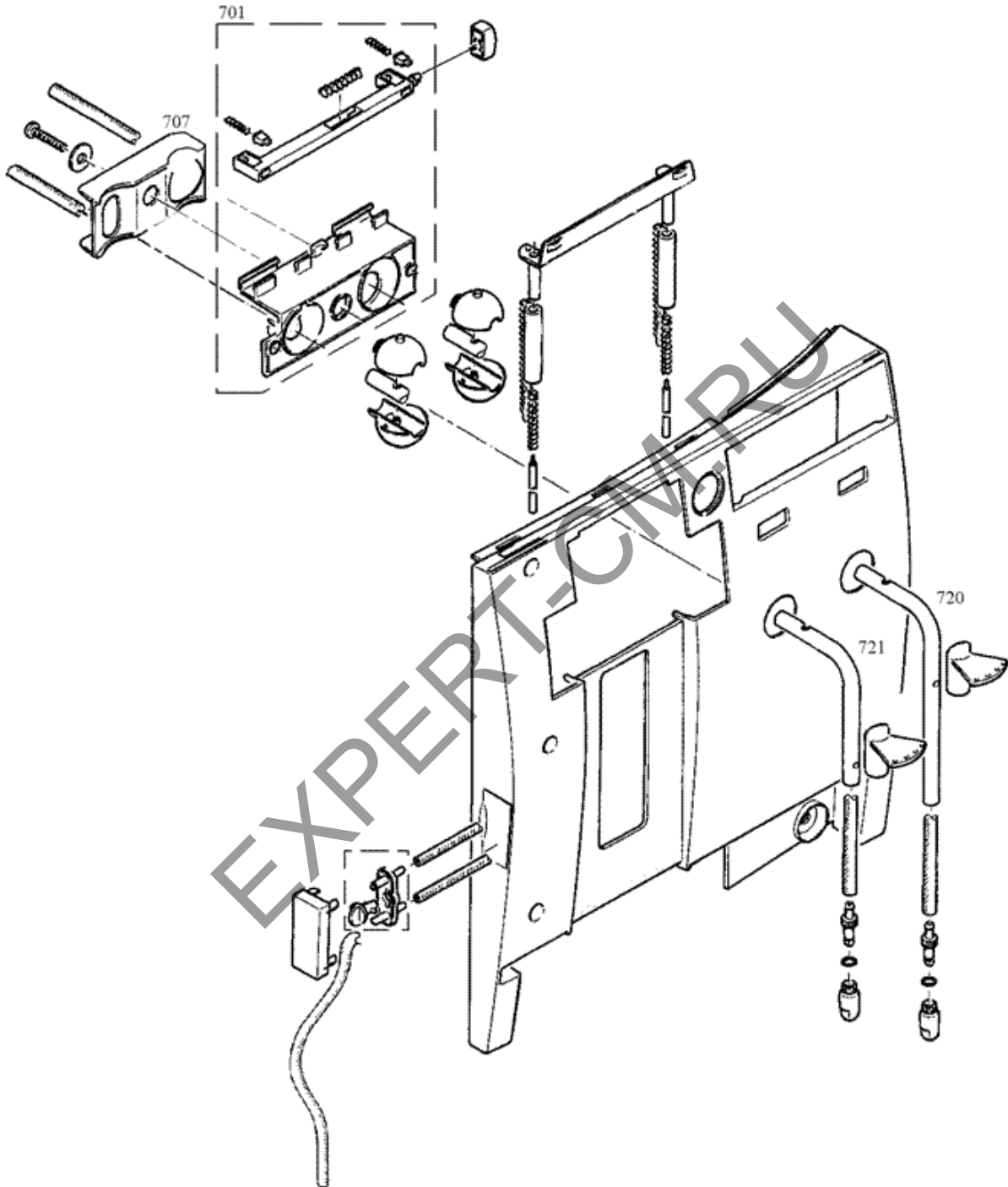


Pos	Designation	Material	Disassembly	Disposal	Variation	Return
0610	Pump IEC 100V X7/X9	Electro			X	
0610	Pump CP.04.116.0/ST/S/P 230V	Electro			X	
0610	Pump CP4/SP 110V/120V/60Hz	Electro			X	
0612	Pump carrier version 2	Gum				
0624	Pump support black	ABS				
0625	Tank base black	ABS / PC			X	
0625	Tank base black	ABS			X	

EXPERT-CM.RU

(7) Front cover

S13209\_07

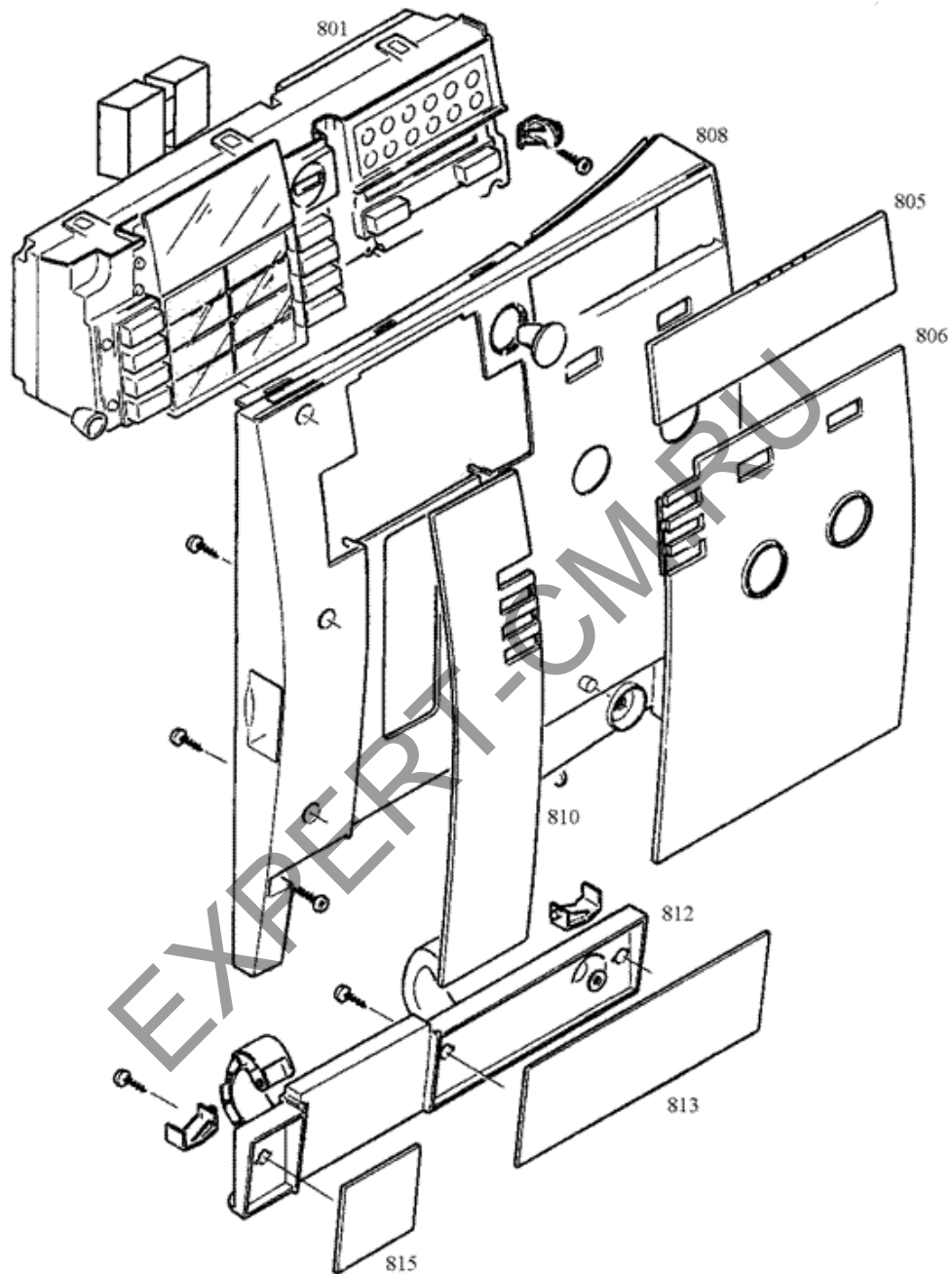


Pos	Designation	Material	Disassembly	Disposal	Variation	Return
0701	Slider	PA / Steel				
0707	Support	PA				
0720	Discharge pipe chromium plated	Messing				
0721	Water tube	Messing				

EXPERT-CM.RU

**(8) Front cover with control element**

S13209\_08



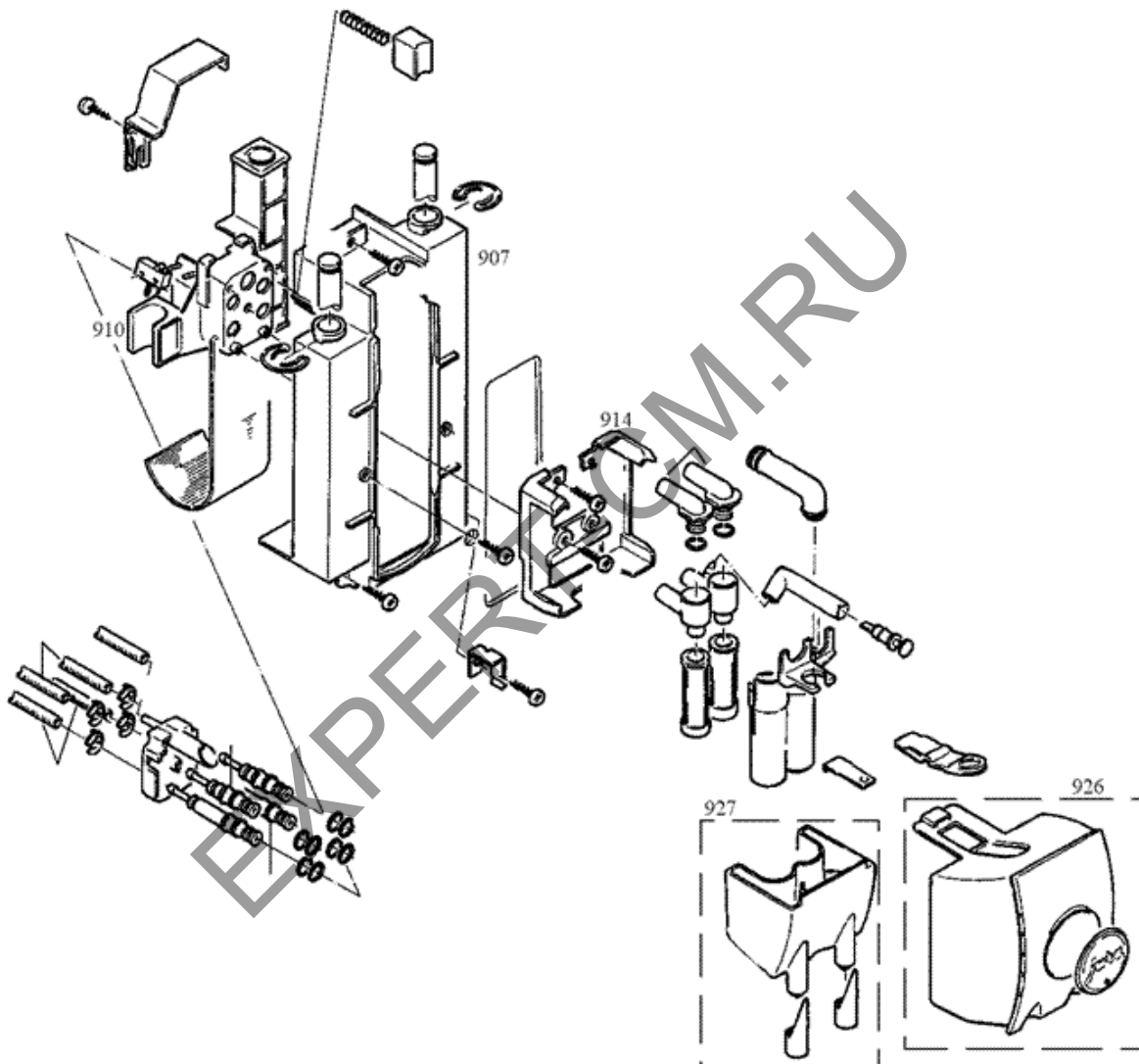


Pos	Designation	Material	Disassembly	Disposal	Variation	Return
0801	Logic pcb X9 cpl	Electronic		Accu		
0805	Front cover pianoblack	ABS				
0806	Front cover silver right	ABS				
0808	Front shield black	ABS / PC			x	
0808	Front shield black V2	ABS			x	
0810	Front cover silver left	ABS				
0812	Shield black	ABS				
0813	Cover	ABS				
0815	Cover	ABS				

EXPERT-CM.RU

(9) Outlet

S13209\_09

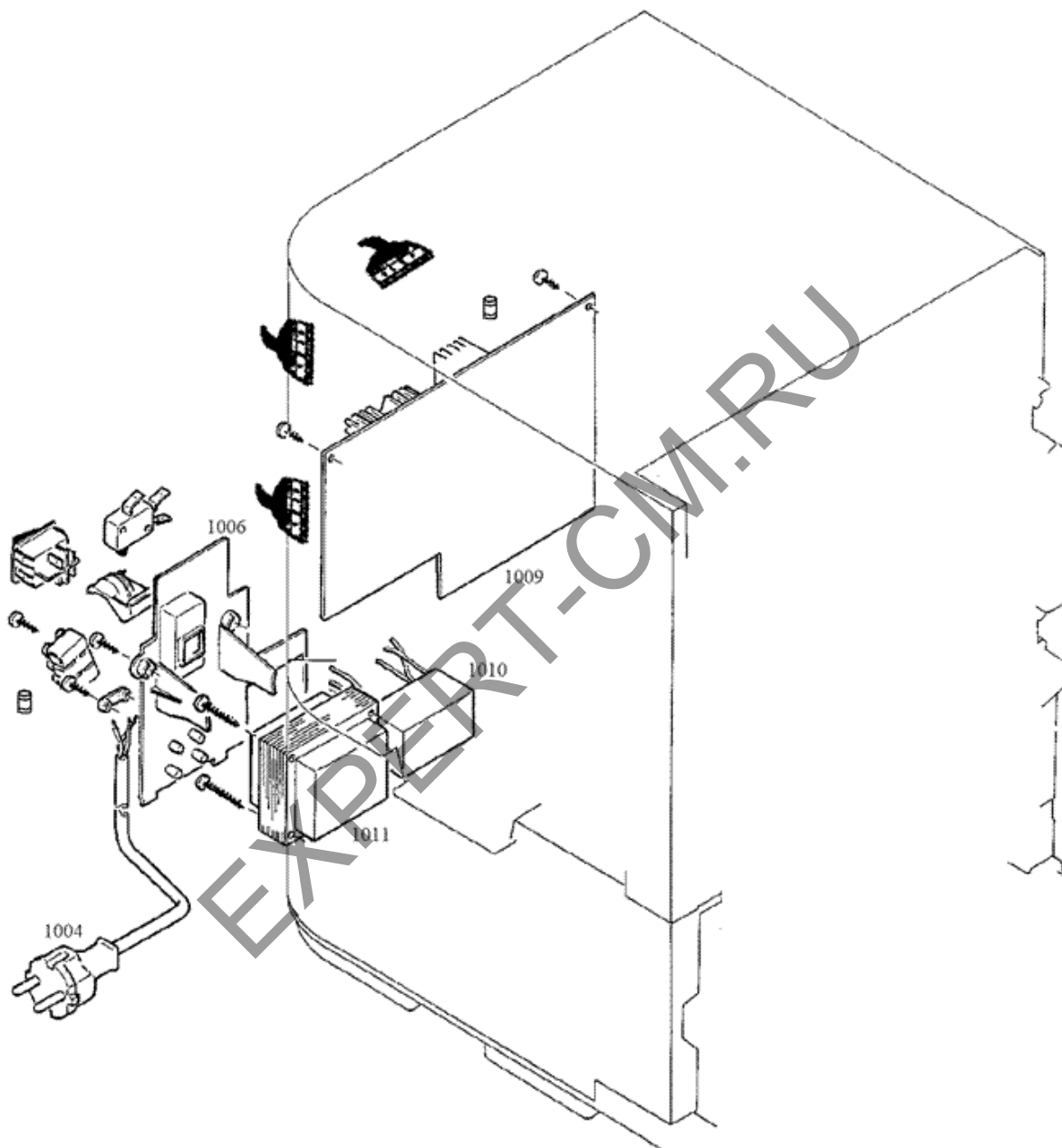


Pos	Designation	Material	Disassembly	Disposal	Variation	Return
0907	Guide support black	ABS				
0910	Guide assembled	PA				
0914	Support for cap	ABS				
0926	Cap cpl platinum	ABS / SAN			x	
0926	Cap cpl.	ABS			x	
0927	Outlet ass. Coffee	ABS				

EXPERT-CM.RU

### (10) Power PCB

S13209\_10

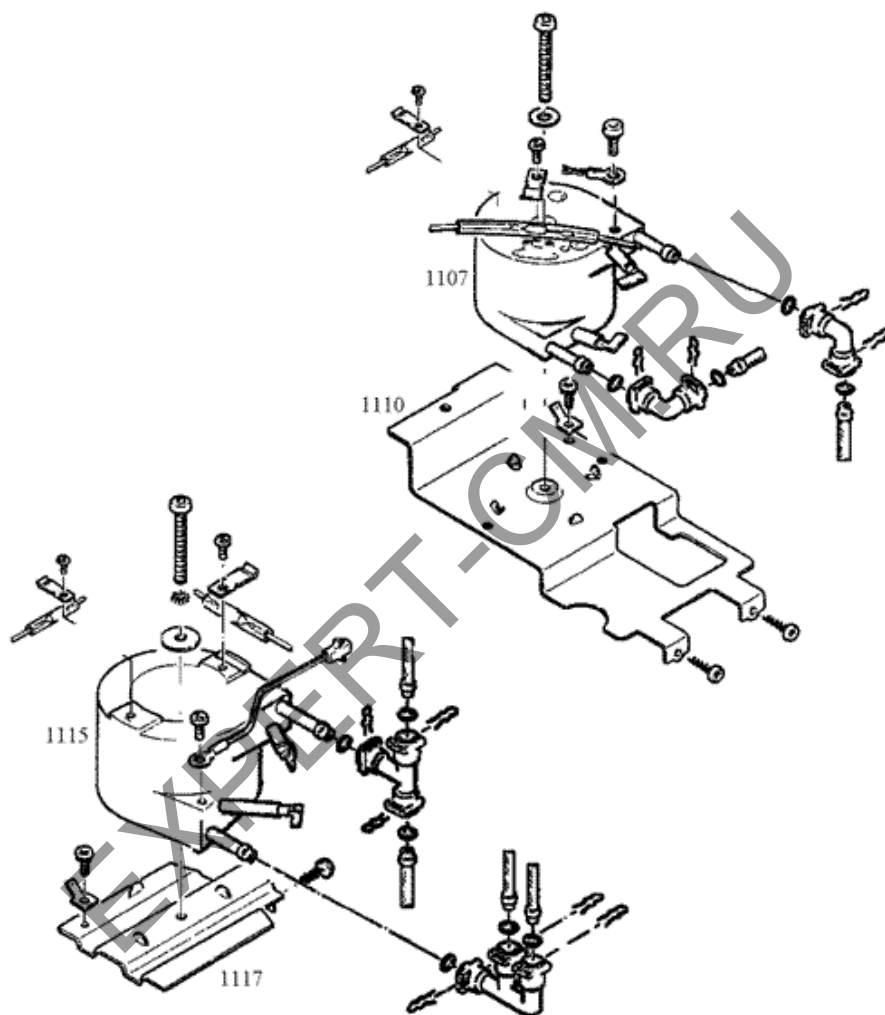


Pos	Designation	Material	Disassembly	Disposal	Variation	Return
1004	Incoming feeder V2 sw RoHS	Copper / Gum				
1006	Power cord support	ABS / PC			x	
1006	Power cord support V2	ABS / PC			x	
1009	Power pcb X9 100-120V	Electronic			x	
1009	Power pcb X9 UL RoHS	Electronic			x	
1010	Interference eliminator	Electro				
1011	Transformer MS6657a 120V	Electro			x	
1011	Transformer MS6707 230V	Electro			x	
1011	Transformer X7/X9 100V	Electro			x	

EXPERT-CM.RU

### (11) Heater

S13209\_11

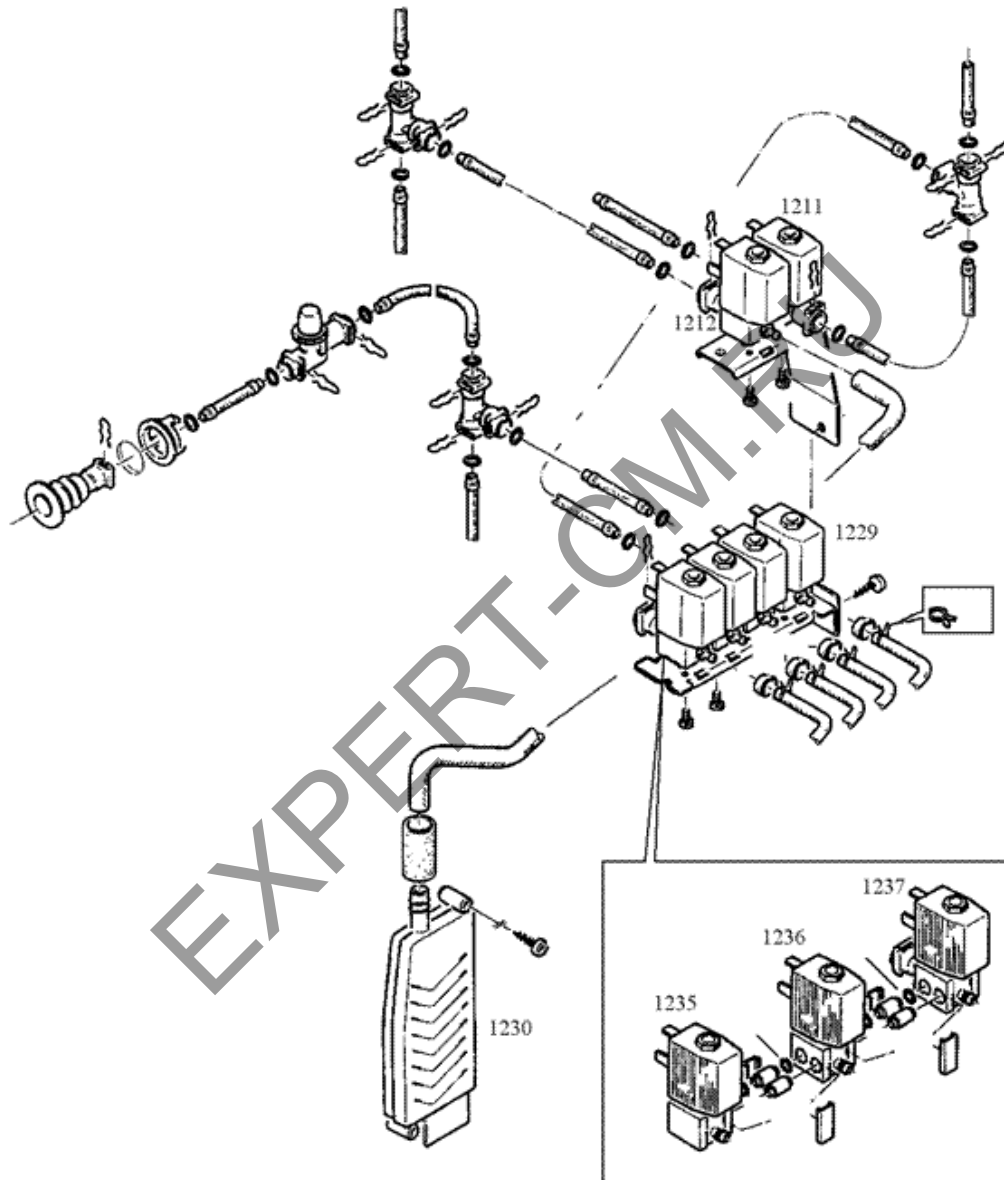


Pos	Designation	Material	Disassembly	Disposal	Variation	Return
1107	Thermoblock 2003 100V/1200W	AL / Steel			X	
1107	Thermoblock 2003/L 120V/1200W	AL / Steel			X	
1107	T-Block 2003/L 230V/1200W V2	AL / Steel			X	
1110	Heating support thermoblock	Steel				
1115	Thermoblock 2001 100V/1200W	AL / Steel			X	
1115	Thermoblock 2001 230V/1200W	AL / Steel			X	
1115	Thermoblock 2001 120V/1200W	AL / Steel			X	
1117	Contact metal sheet	Steel				

EXPERT-CM.RU

(12) Valves

S13209\_12



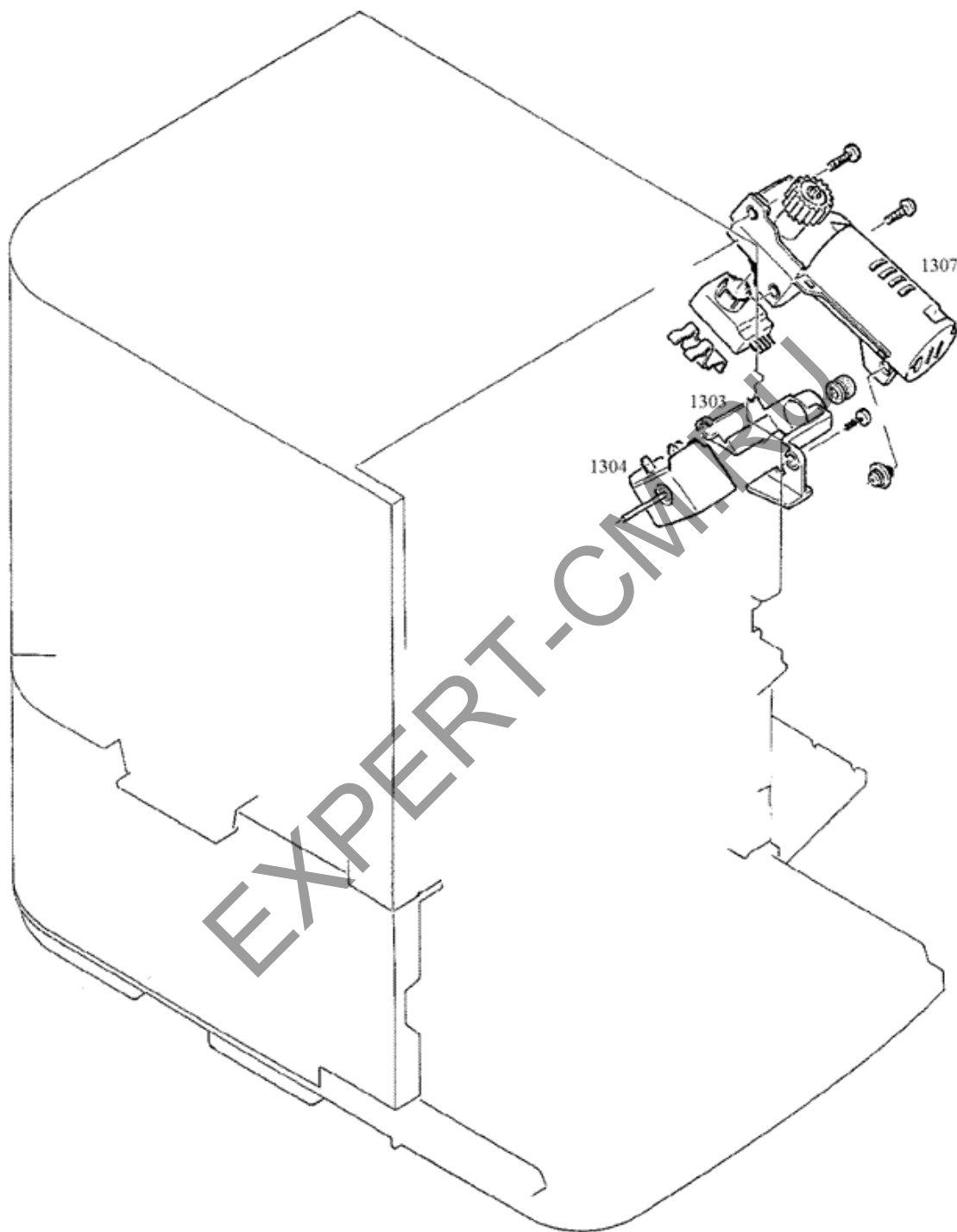


Pos	Designation	Material	Disassembly	Disposal	Variation	Return
1211	Valve 24V DC2/2 166980	Electro				
1212	Valve 24V DC2/2 165861	Electro				
1229	Valve 24V DC2/2 165830	Electro				
1230	Condens tray	PP				
1235	Valve 24V DC2/2 entrance	Electro				
1236	Valve 24V DC2/2 middle	Electro				
1237	Valve 24V DC2/2 end	Electro				

EXPERT-CM.RU

### (13) Drive

S13209\_13



Pos	Designation	Material	Disassembly	Disposal	Variation	Return
1303	Drainage valve support	ABS				
1304	Magnet drainage valve IEC 230V	Copper / Steel / Plastic			x	
1304	Magnet drainage valve IEC 100V	Electro			x	
1304	Magnet drainage valve IEC 120V	Copper / Steel / Plastic			x	
1307	Geared motor 12V assem. RoHS	Electro / Messing / POM				

EXPERT-CM.RU



Pos	Designation	Material	Disassembly	Disposal	Variation	Return
1401	Brew unit assembled	ABS / POM / PA / NBR / Steel / Silicone				
1402	Guide assembled quiet	AL / POM				

EXPERT-CM.RU