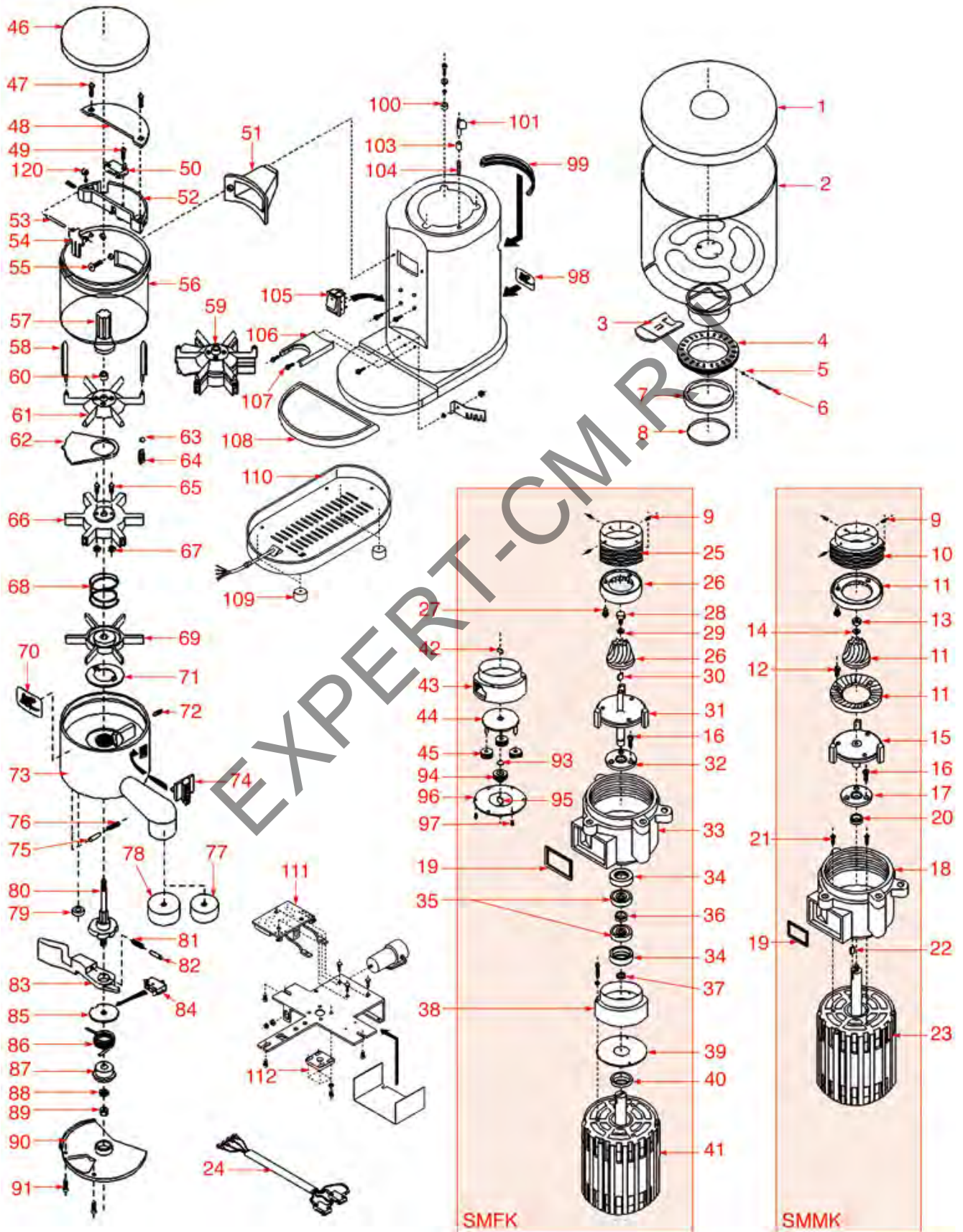




GRINDER ASSEMBLY SMMK-SMFK

SMMK-SMFK



SMM0601



SAN MARCO



Position	LF code no.	Description
1	1252040	COFFEE HOPPER LID ø 225 mm
2	1080003	COFFEE HOPPER 4.6 L
2	1080005	COFFEE HOPPER 6 L
3	1252035	COFFEE HOPPER CLOSING SHEET
5	1348817	CIRCLIP RADIAL ø 4 mm
7	1186739	GASKET ø 98x80x9 mm
8	1186763	O-RING 0171 EPDM
11	1251012	HALF CONICAL GRIND.BURR S.MARCO(PAIR) RH
12	1528516	CYLINDER HEAD SCREW M5x12
19	1186485	GASKET FOR COFFEE OUTLET OPENING
26	1251134	CONICAL GRIND.BURRS SAN MARCO (PAIR) RH
27	1528049	CYLINDER HEAD SCREW M4x16
46	1252029	DOSER LID
48	1252031	MICROSWITCH BOX LID
49	5010319	SELF-TAPPING SCREW ø 2.9x16 mm
50	3240123	MICROSWITCH ROLD VRSRB1DA1
51	1252027	GASKET FOR COFFEE OUTLET OPENING
52	1252032	MICROSWITCH BOX
53	1240058	PIN FOR FLAP
54	1252038	OVERFLOW FLAP
56	1252023	DOSER CYLINDER
57	1252043	DOSE ADJUSTMENT KNOB
58	1343068	DOSER SCRAPER
61	1343007	TOP STAR
62	1252036	DIVIDING SHEET
63	1252039	LOCKING BALL
64	1250049	SPRING FOR STAR CLOSING BALL
66	1343005	CENTRAL STAR
67	1348025	HEXAGONAL NUT M3
68	1250043	STAR SPRING
69	1343003	BOTTOM STAR
74	1252470	COUNTER FOR COFFEE GRINDER/DOSER
76	1250199	PIN SPRING ø 3.5x20 mm
77	1385018	COFFEE TAMPER ø 56.5 mm
78	1385008	TAMPER ø 53
80	1252028	DOSER LEVER PIN
81	1250045	PIN SPRING
82	1324113	DOSER LEVER PIN ø 5x16 mm
83	1252026	DOSER LEVER
84	3240406	MICROSWITCH SAIA-BURGESS
86	1250048	DOSER LEVER RETURN SPRING
89	1528030	MID HEXAGONAL NUT M6
103	1252456	BUSHING ø 7x6x5,5 mm
104	1250200	PIN SPRING ø 5.5x32 mm
105	3319295	BIPOLAR SWITCH BLACK 16A 250V
106	1251013	FILTER HOLDER FORK
108	1260005	COFFEE COLLECTION TRAY
111	1390016	PRINTED CIRCUIT BOARD 230V
120	3528232	HEXAGONAL NUT MEDIUM SIZE M4