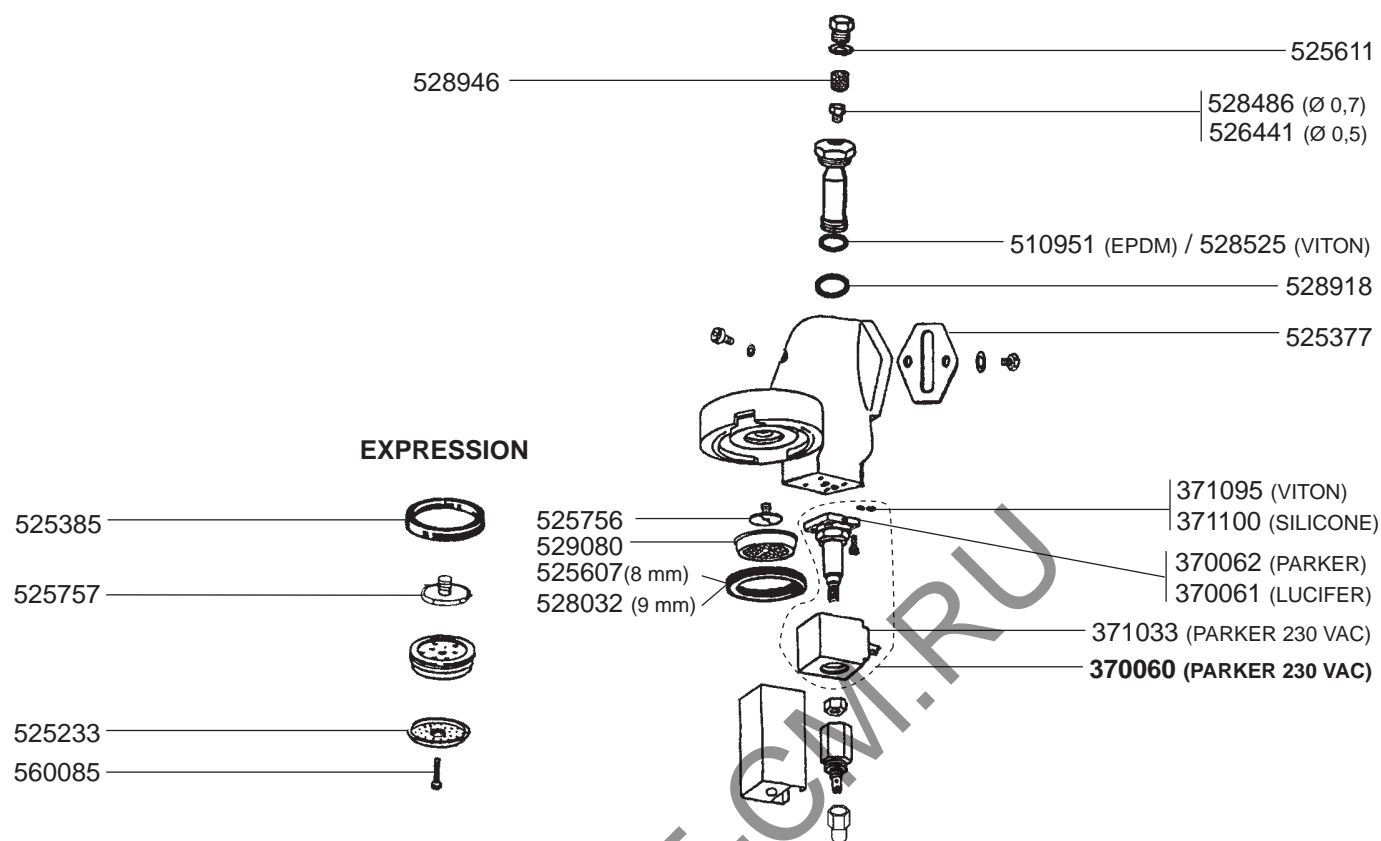
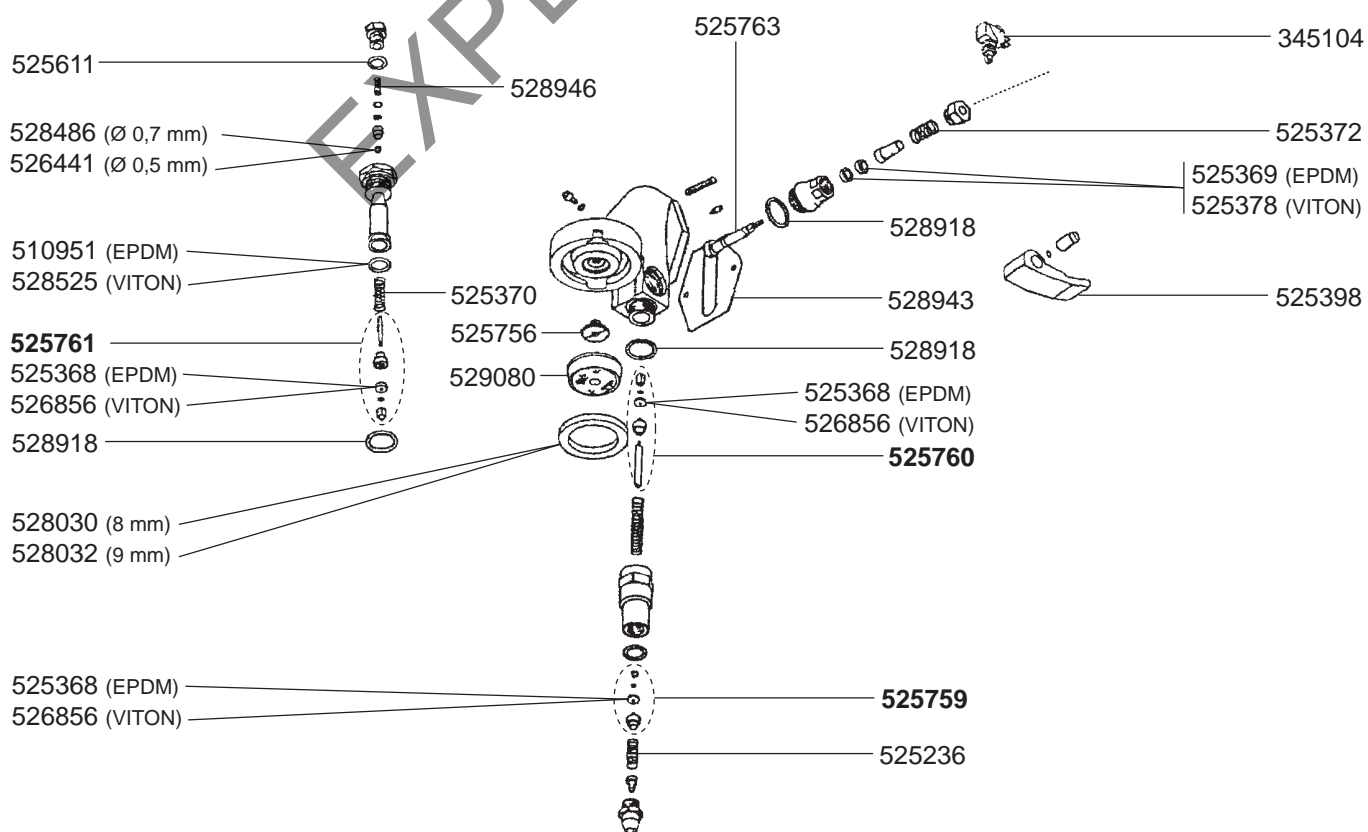


SOLENOID GROUP



MANUAL GROUP



IBERITAL - ESPRESSO MACHINES

1
ESPRESSO MACHINES

FILTER HOLDERS



525230



529045



525997



529012 (6 GR)

529011 (7 GR)



529014 (12 GR)

529013 (14 GR)

529229 (21 GR)



529023



529266 (Ø 1,1 mm)

529265 (Ø 1,2 mm)

529079 (Ø 1,3 mm)

EXPRESSION



525231



529045



525997



529266 (Ø 1,1 mm)

529265 (Ø 1,2 mm)

529079 (Ø 1,3 mm)



525234 (6 GR)

525235 (7 GR)



529030



525232



529063



529001



529003



529004



529007



527633

527634

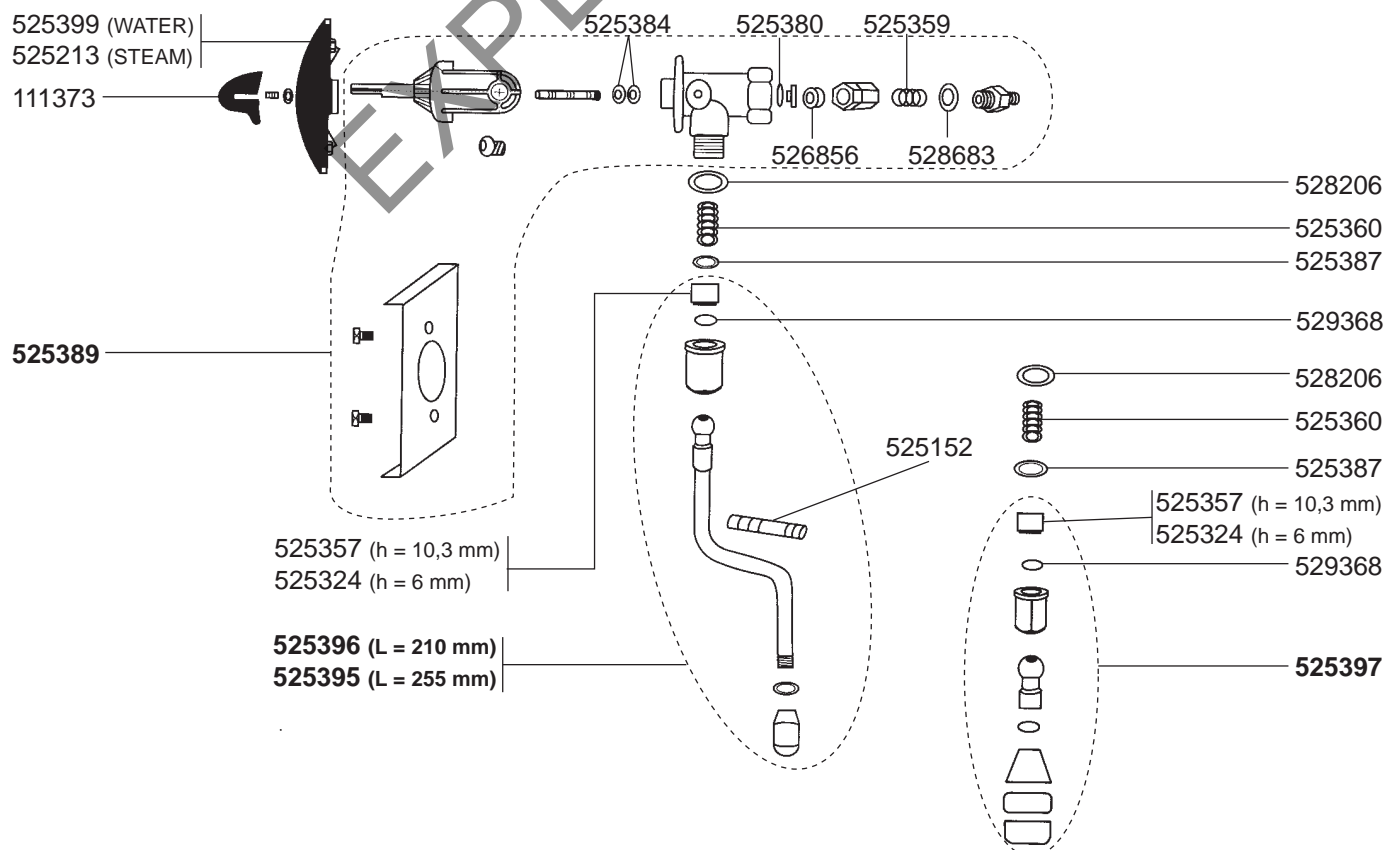


529894

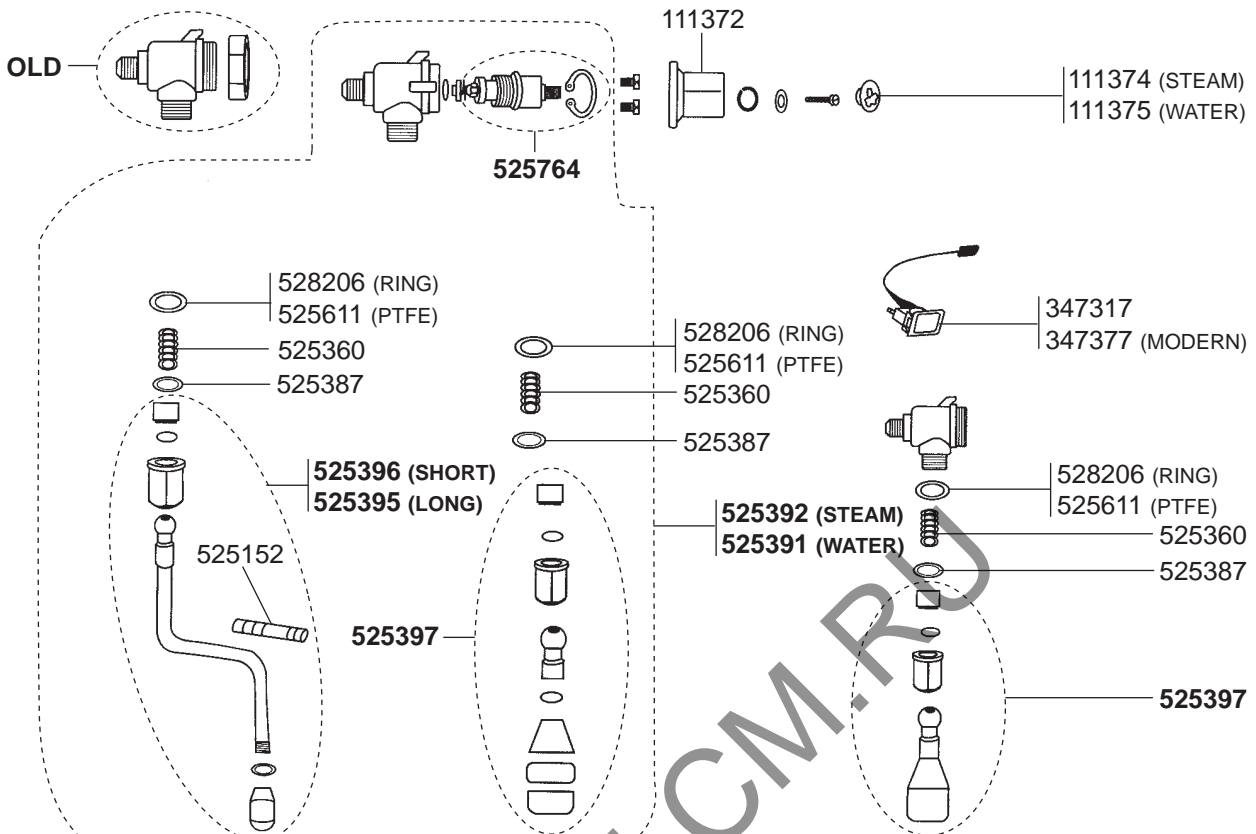


529161 (ADJUSTABLE)

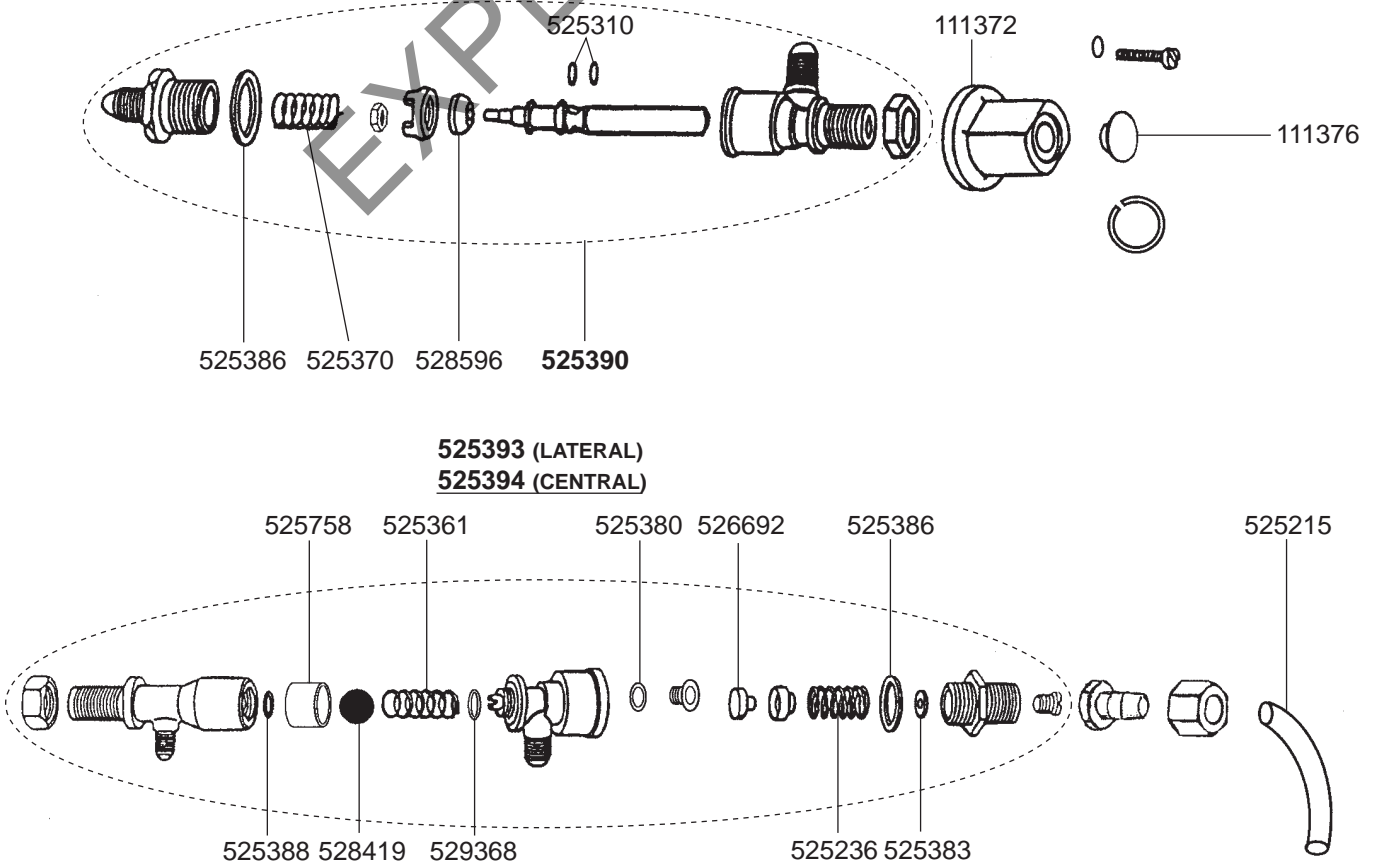
STEAM/WATER TAPS



STEAM/WATER TAPS



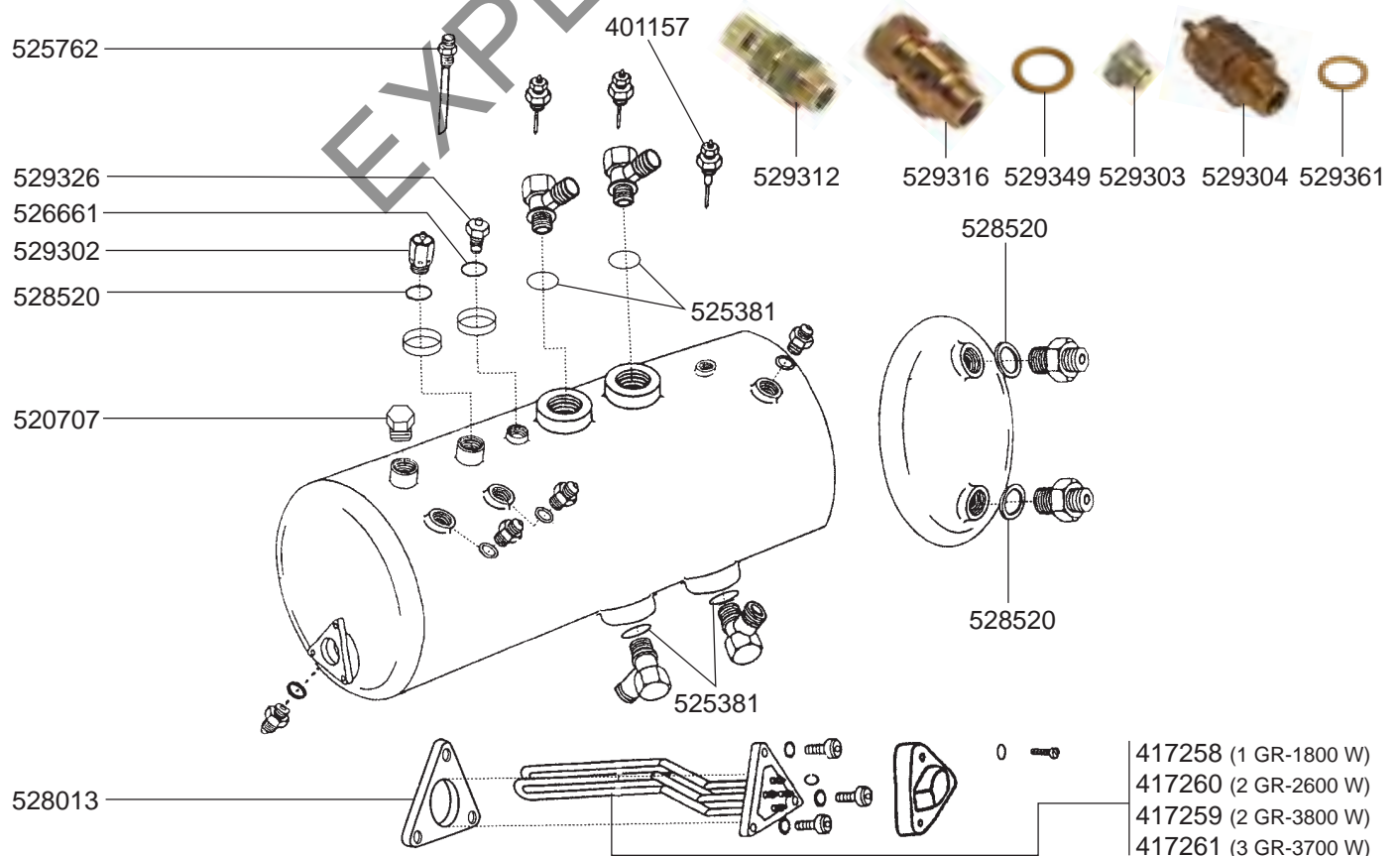
VALVES



LEVEL INDICATOR/MANOMETERS/DRIP TRAY



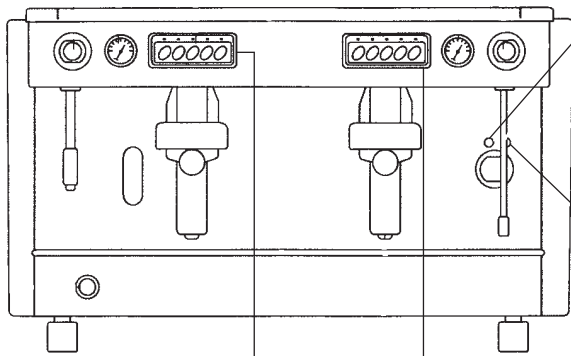
BOILER VARIOUS



ELECTRICAL COMPONENTS

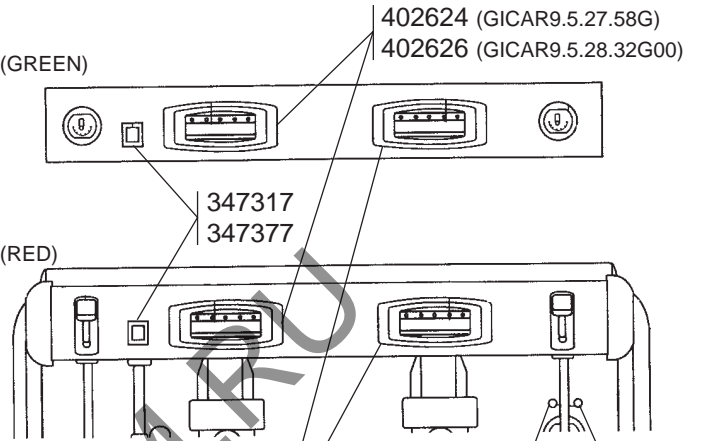
L'ANNA

345151



IBERITAL

345151



402636 (GICAR ref.9.5.27.62G)
402630 (GICAR ref.9.5.28.46G00)

402628 (GICAR REF.9.5.27.62G)
402629 (GICAR REF.9.5.28.46G00)

402625 (REF 9.5.27.56G)
402627 (REF 9.5.28.32G00)

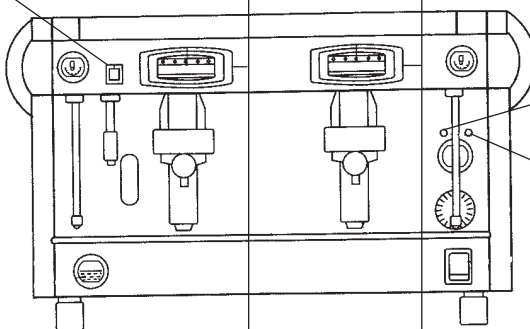
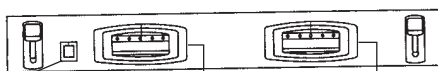
359139 (GREEN)
359138 (RED)

ELECTRICAL COMPONENTS

MARLINC

347317 (OLD)
347377 (MODERN)

301002



402624 (GICAR REF 9.5.27.58G)
402626 (GICAR REF 9.5.28.32G00)

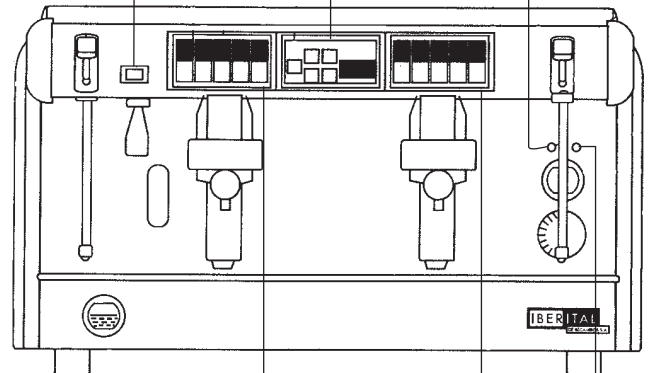
402625 (GICAR REF 9.5.27.56G)
402627 (GICAR REF 9.5.28.32G00)

359139 (GREEN)
359138 (RED)

EXPRESSION

347317 (OLD)
347377 (MODERN)

402633 (GICAR ref.9.5.20.25G)
402634 (MEMBRANE)



402632 (GICAR ref.9.5.28.54G00)
525374 (MEMBRANE)

402631 (GICAR ref.9.5.28.54G00)
525374 (MEMBRANE)

359138 (RED)

ELECTRICAL COMPONENTS

EXPRESSION



400521



525376



370598

1 GR PORTABLE



541750



541104



400404
(L = 240 mm)
401363
(L = 110 mm)



499054



520250



402623 (GICAR ref.9.5.37.02G)



400226



380379



402568

ELECTRICAL COMPONENTS VARIOUS



400004



400256



400257



400258



541021
(SIRAI,
30 AMP,
3 POLES)



541724
(SIRAI,
20 AMP,
3 POLES)



541723
(SIRAI,
20 AMP,
2 POLES)



541453
(PARKER)



370057
(PARKER
230 VAC)



370062
(PARKER)



370206
(PARKER
230 VAC-1/8'')



371029
(PARKER
230 VAC)



371090



371095 (VITON)
371100 (SILICONE)



400509 (RED)
402635 (SILVER)



380923 (25 A)
380924 (32 A)



380458 (20 A)
380922 (20 A)



400418
(GICAR REF. 9.1.40.23G00)



347379



347380 (0-1-2)
347378 (0-1-2-3)



390324 (3 POLES)
375898 (1 POLES)