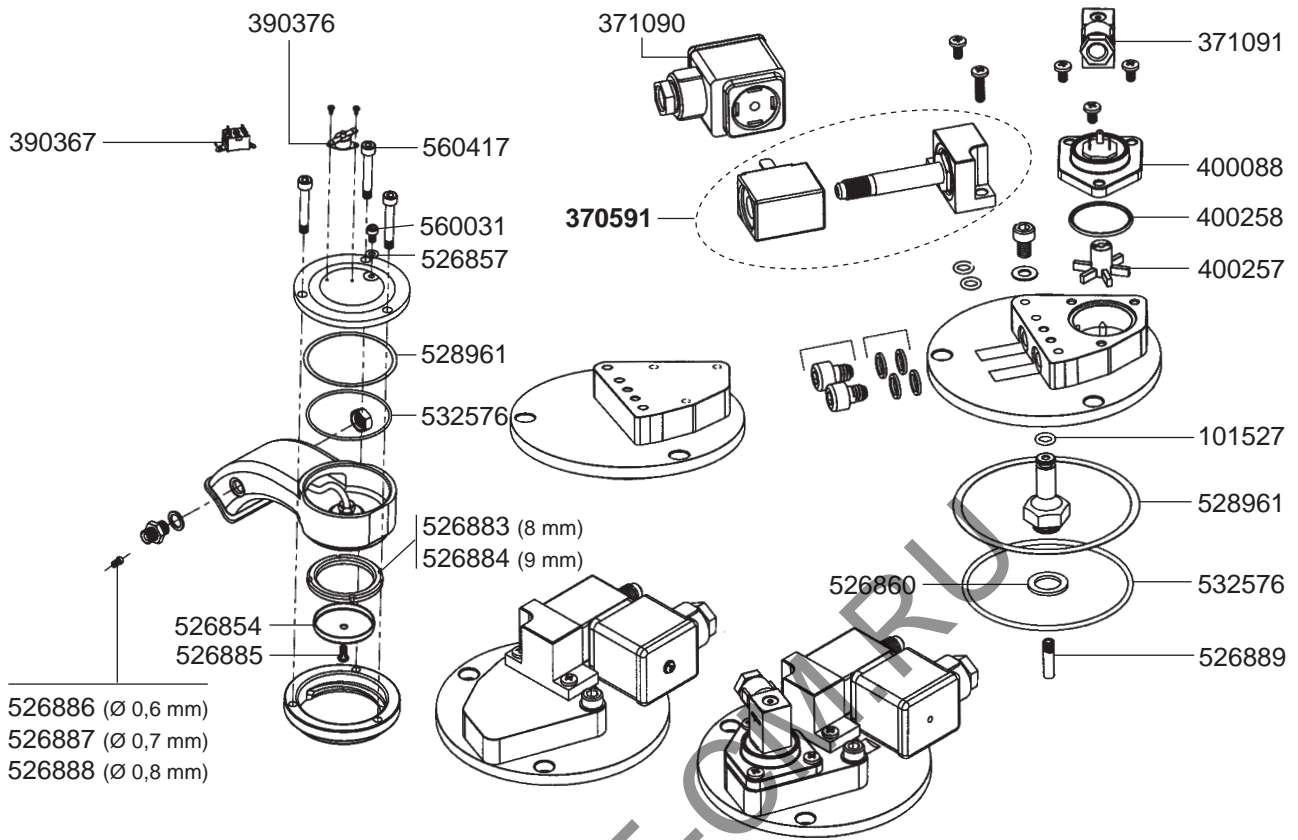
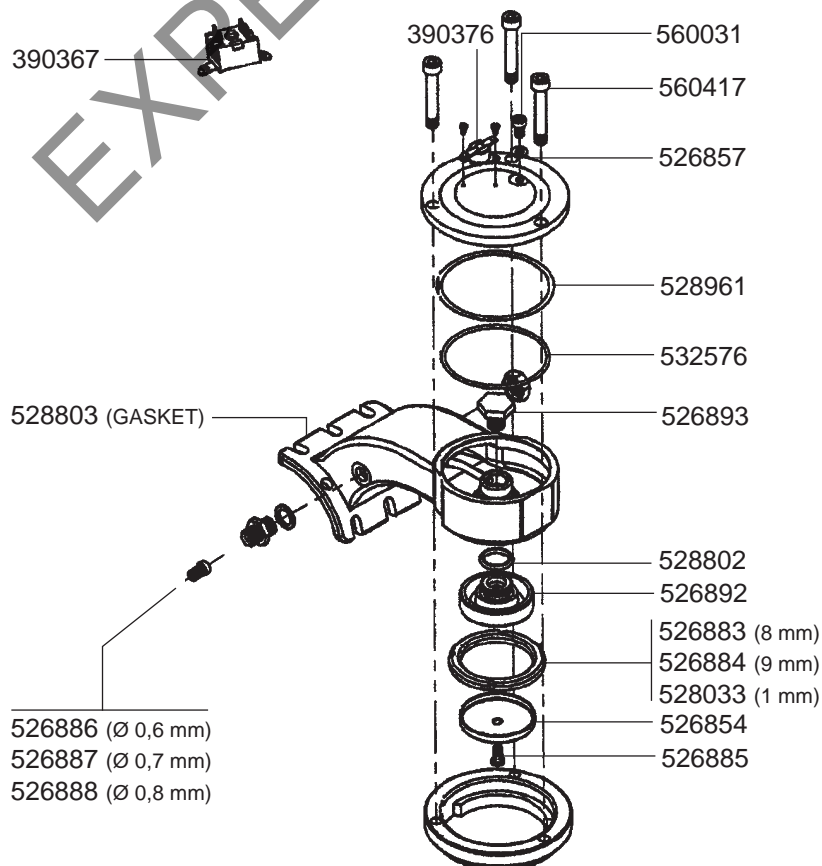


## GB5/FB80/MISTRAL/GS3 GROUP



## LINEA/FB70 GROUP



## FILTER HOLDERS



529204  
(M-12)



529045



525982



529205  
(M-10 15°)



529053



529983



529012 (6 GR)

529011 (7 GR)

526897 (7 GR ORIGINAL)



529014 (12 GR)

529013 (14 GR)

526898 (14 GR ORIGINAL)



529023



529024  
(BLIND)



802020  
(STAINLESS  
STEEL)



802103  
(PLASTIC)



802025  
(Ø 53/57 mm)



802104  
(Ø 49/53 mm)



529063



529001



529003



529004



529007

527633



527634

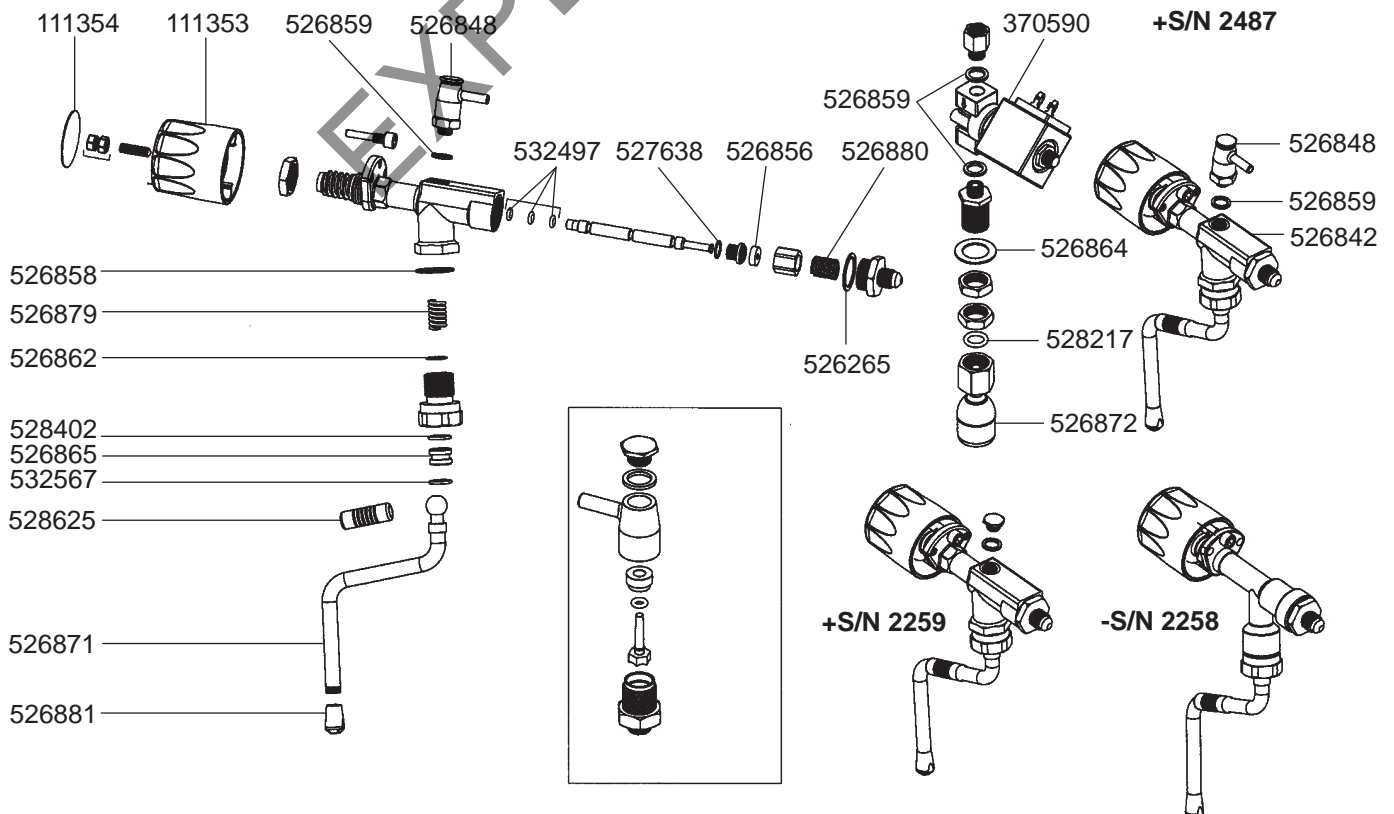


529894

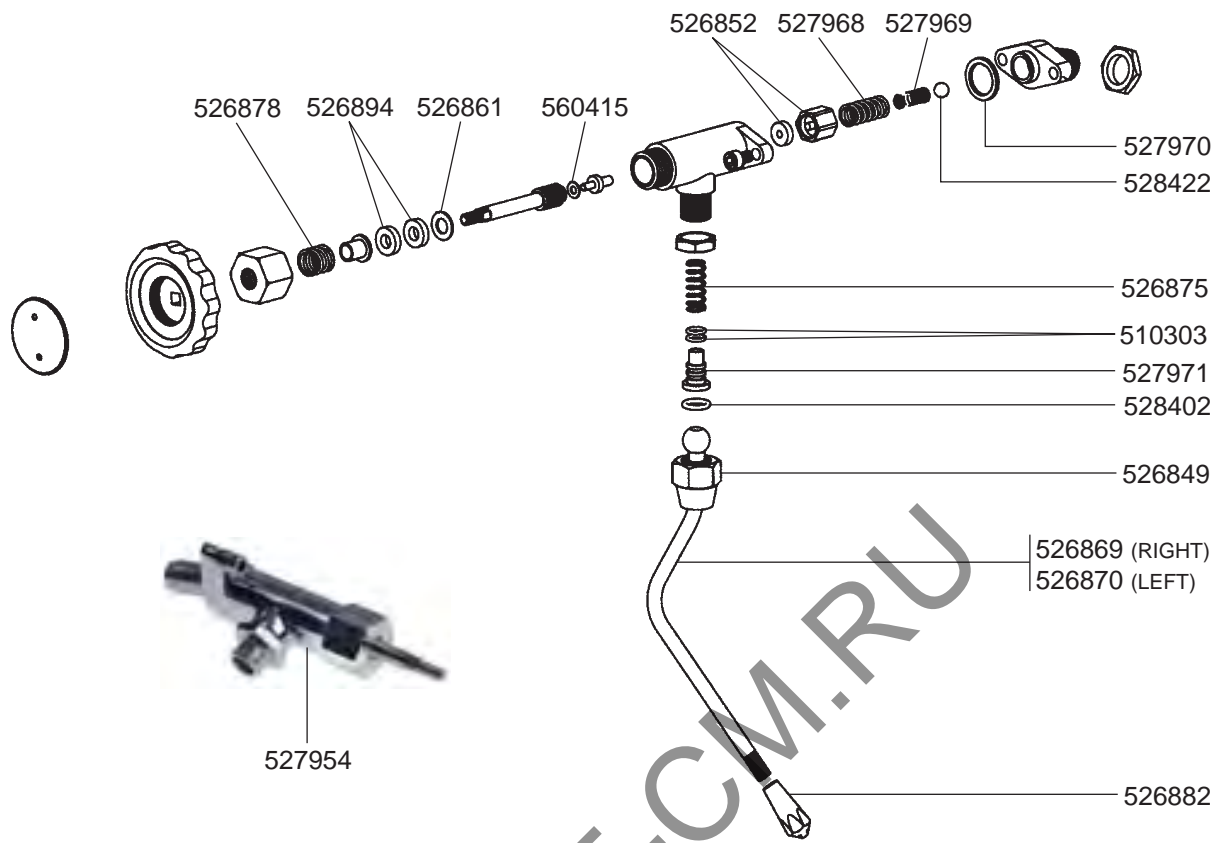


529161  
(ADJUSTABLE)

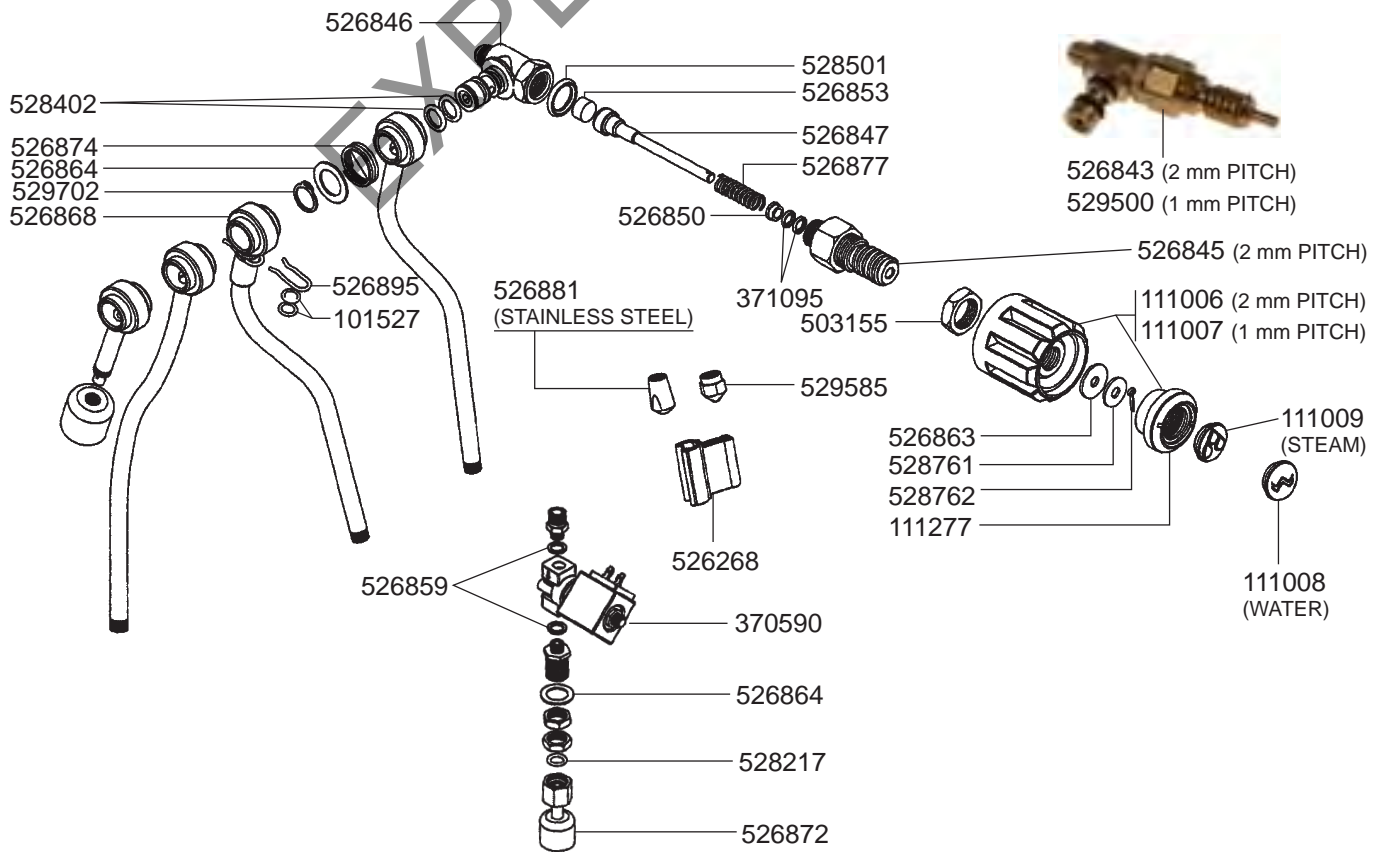
## STEAM/WATER TAPS GB5-FB80



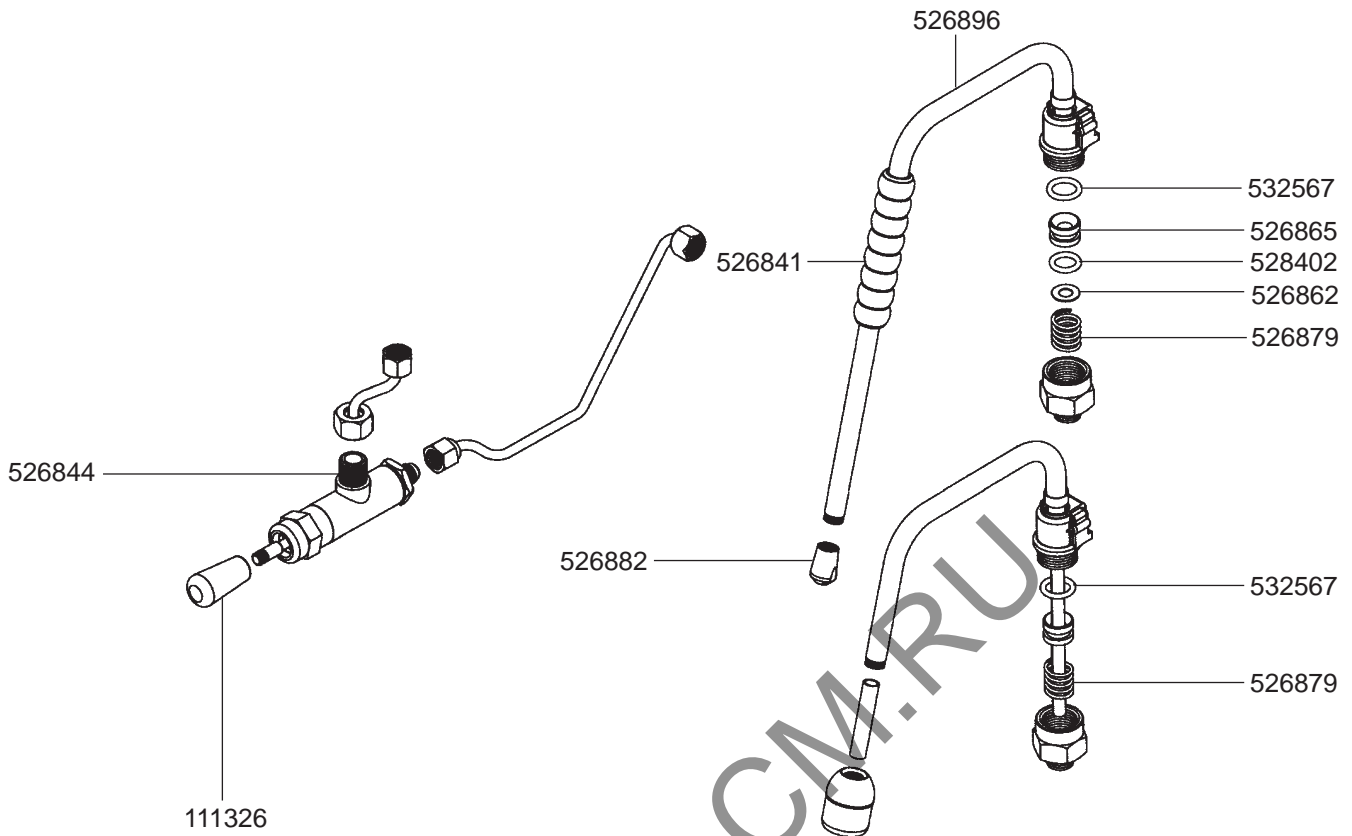
## STEAM TAP MISTRAL



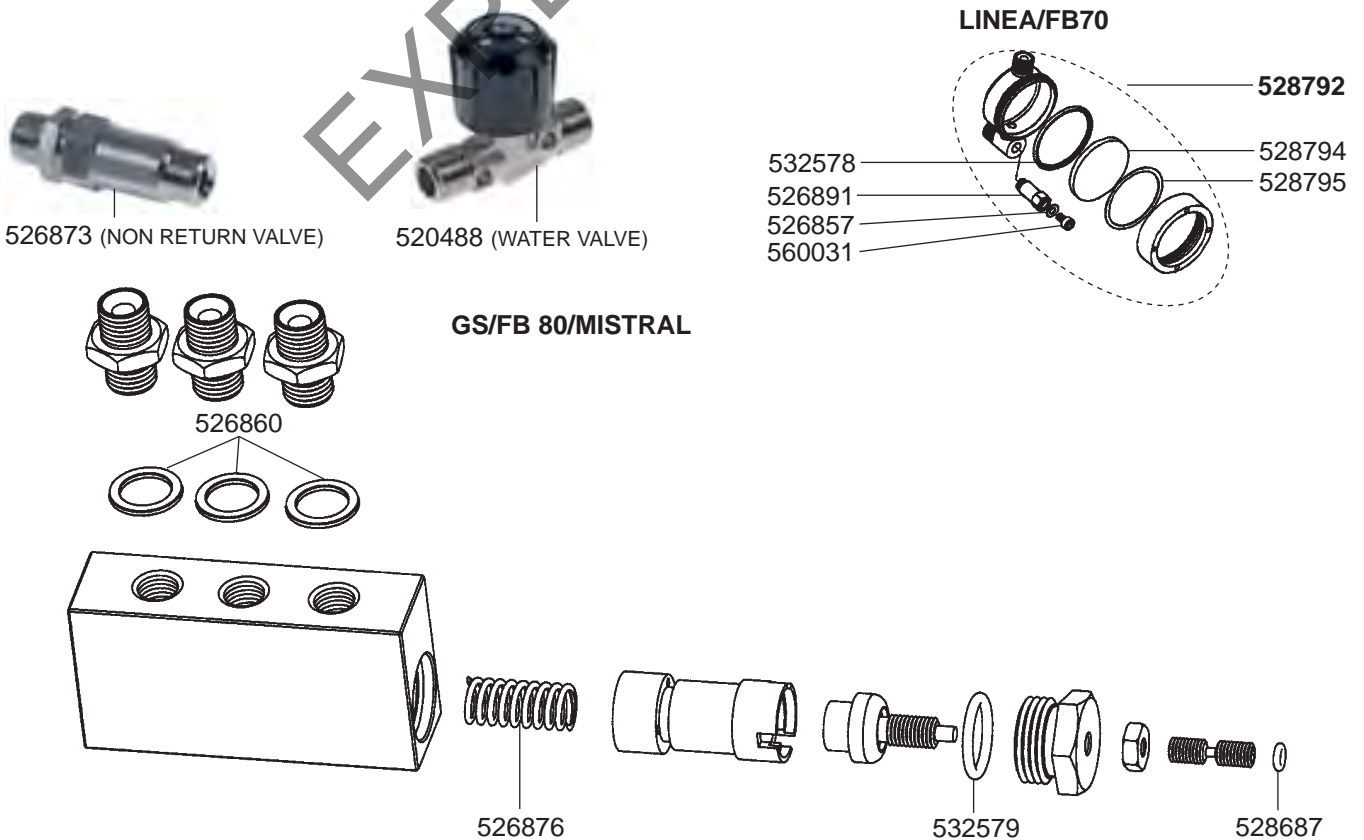
## STEAM/WATER TAPS LINEA-FB70



## STEAM/WATER TAPS GS3



## VALVES/LEVEL INDICATOR



## MANOMETERS/DRIP TRAYS



541761 (0-3 BAR)

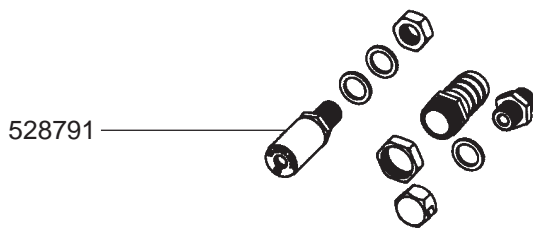


541760 (0-15 BAR)



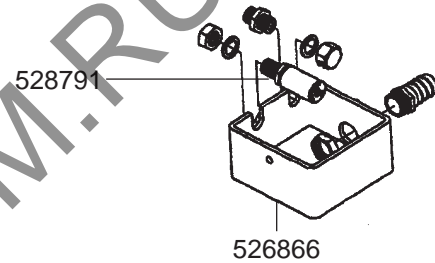
541202

### GB5/FB80



528791

### LINEA/FB70



528791

526866

## BOILER VARIOUS



529312 (3/8")



529316 (3/8")



529303 (1/4")

529361 (1/4")

529349 (3/8")



528171



COFFEE

- 417395 (2 GR-1400 W-230 VAC)
- 417129 (3 GR-1600 W-230 VAC)
- 417400 (3 GR-1900 W-230 VAC)

STEAM

- 417125 (2 GR-2000 W-230 VAC)
- 417399 (3 GR-3000 W-230 VAC)
- 417398 (2 GR-3000 W-230 VAC)
- 417128 (3 GR-4000 W-230 VAC)

VARIOUS



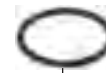
528171



- 417045 (1 GR-1800 W-230 VAC-L = 160 mm)
- 417080 (2 GR-2400 W-230 VAC L = 240 mm)
- 417125 (2 GR-2000 W-230 VAC L = 290 mm)
- 417047 (2 GR-3000 W-230/400 VAC L = 410 mm)
- 417128 (3/4 GR-4000 W-230 VAC L = 500 mm)

LEVEL PROBE  
LA052 (L = 100 mm)  
LA052 (L = 110 mm)

### COFFEE



532580 (+S/N 126)  
526855 (-S/N 125)



417396 (GS3)

### STEAM



532580 (+S/N 126)  
526855 (-S/N 126)



417397 (GS3)

### VARIOUS

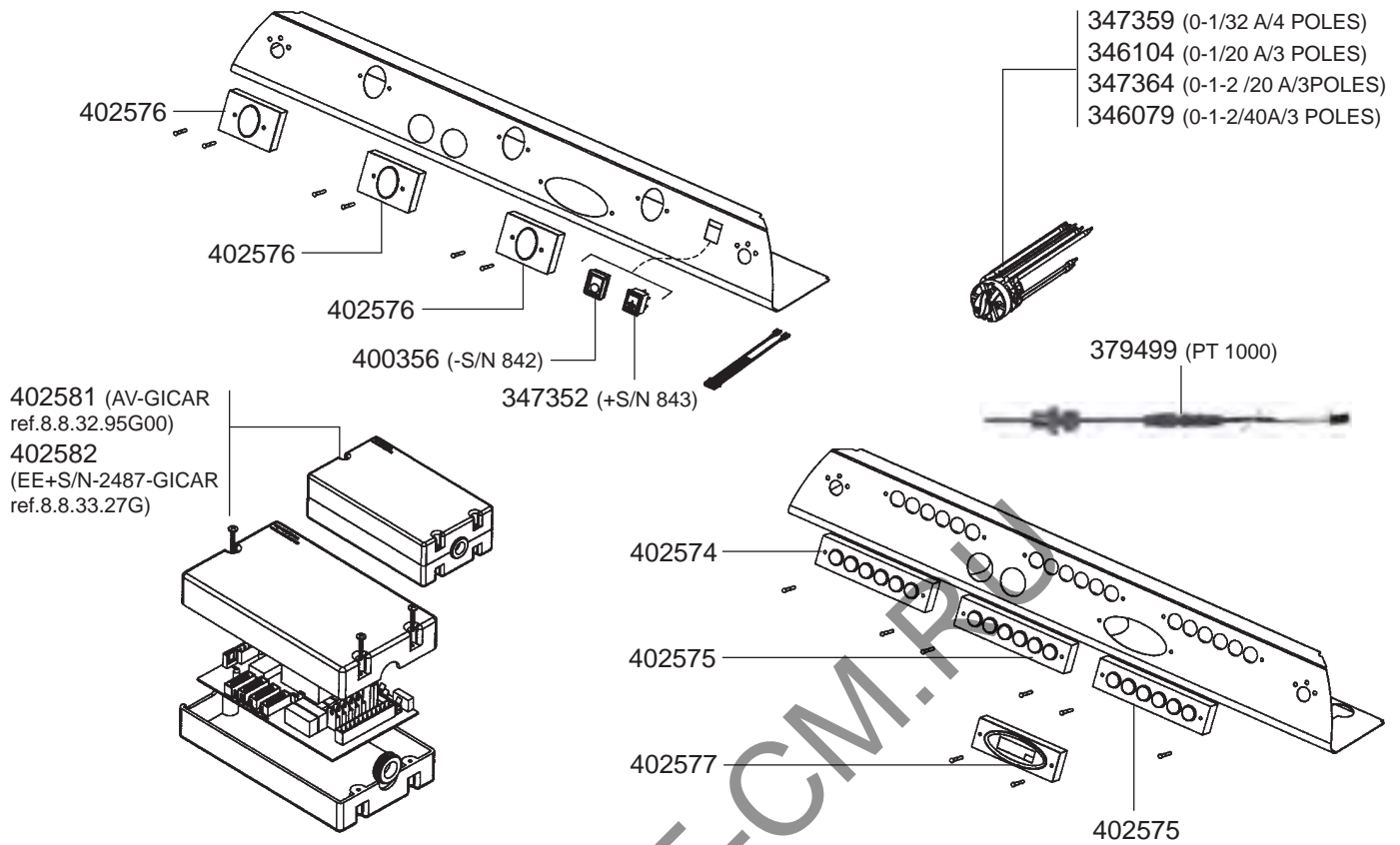


417126  
(1 GR-1300 W-230 VAC L = 200 mm)

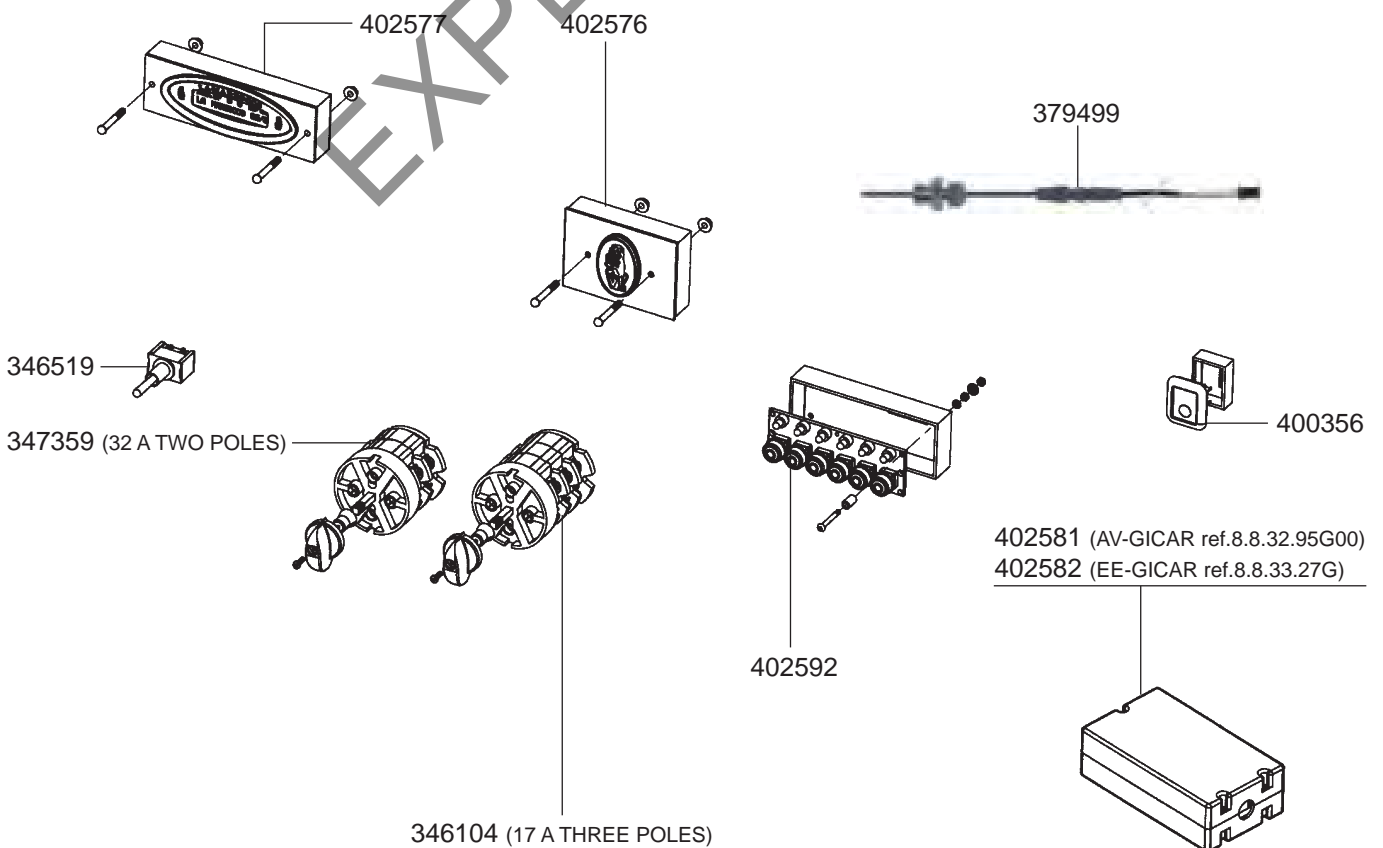


528789

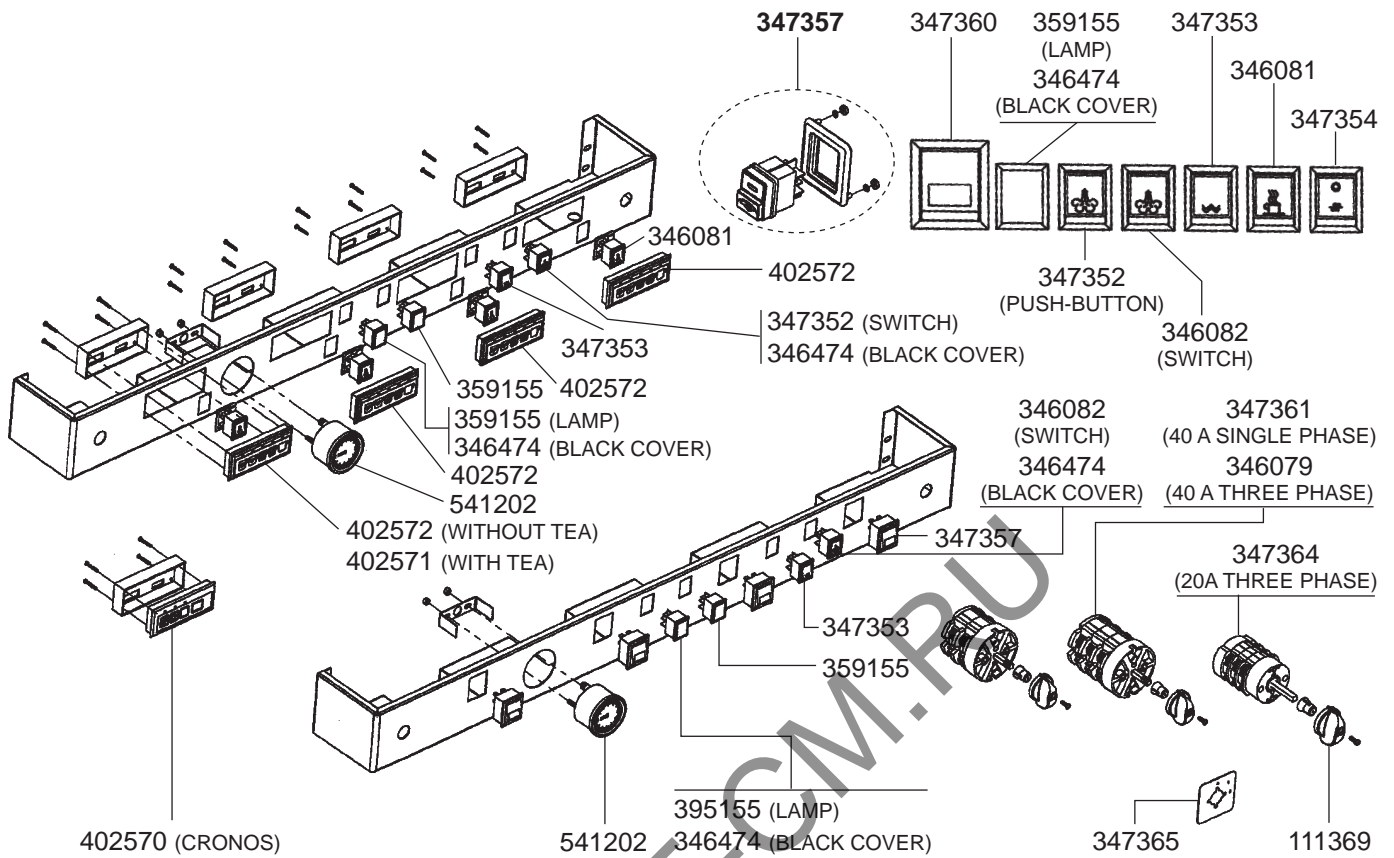
## ELECTRICAL COMPONENTS GB5/FB80



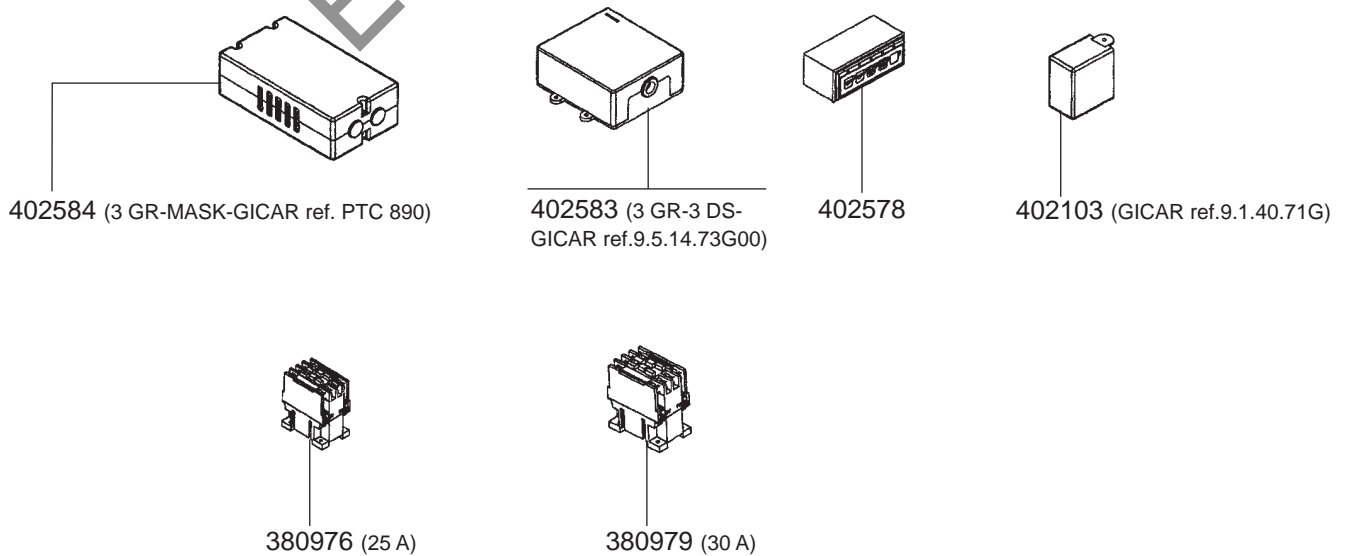
## ELECTRICAL COMPONENTS MISTRAL



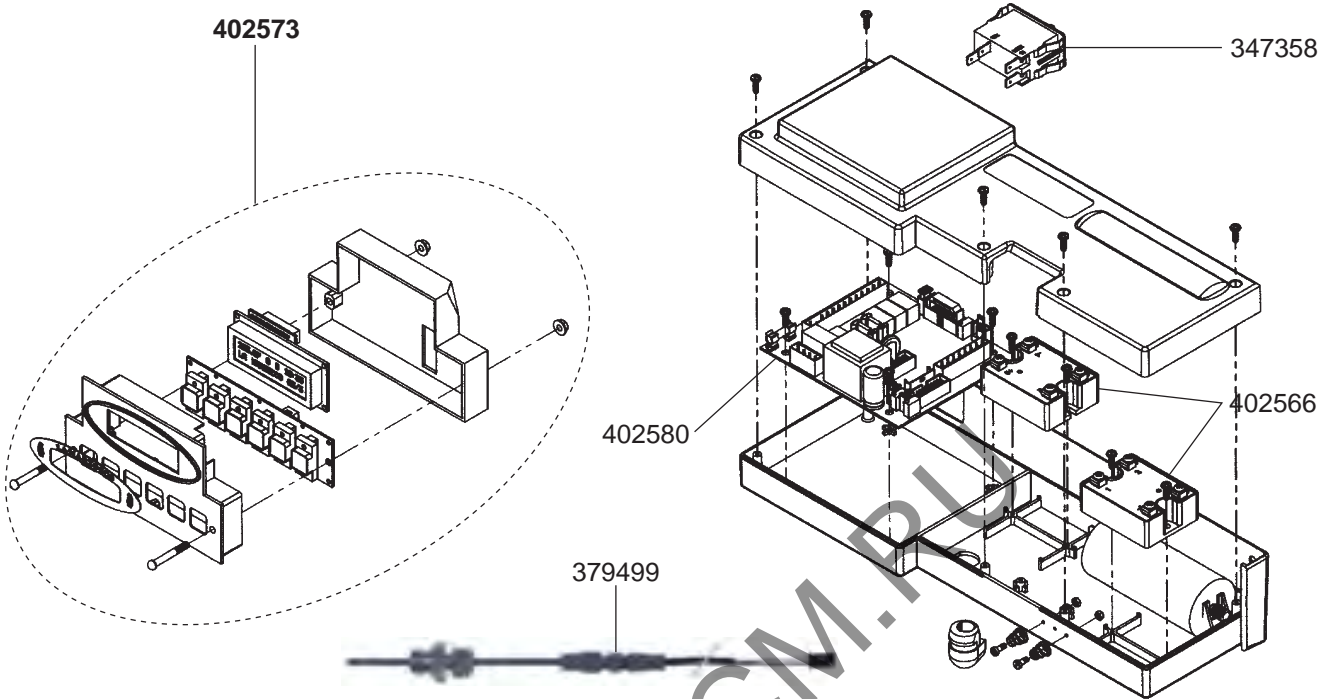
## ELECTRICAL COMPONENTS LINEA/FB70



## ELECTRICAL COMPONENTS LINEA/FB70



## ELECTRICAL COMPONENTS GS3



## ELECTRICAL COMPONENTS VARIOUS





ELECTRICAL COMPONENTS VARIOUS



346081



346082



346083



359155



402103  
(GICAR REF. 9.1.40.71G)



400452  
(GICAR REF. 9.9.12.08G)



400453  
(GICAR REF. 9.9.10.42.G)

EXPERT-CM.RU