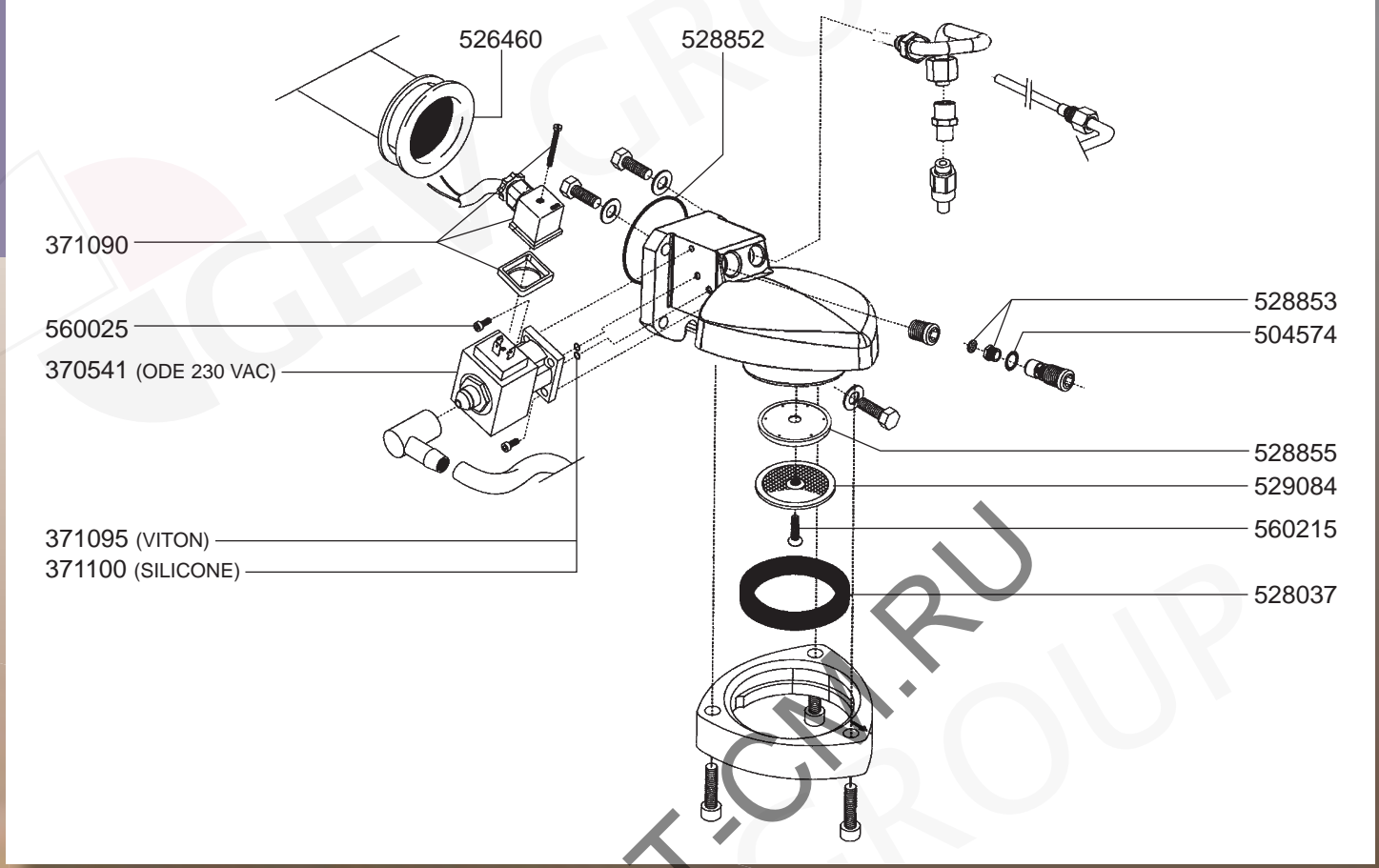
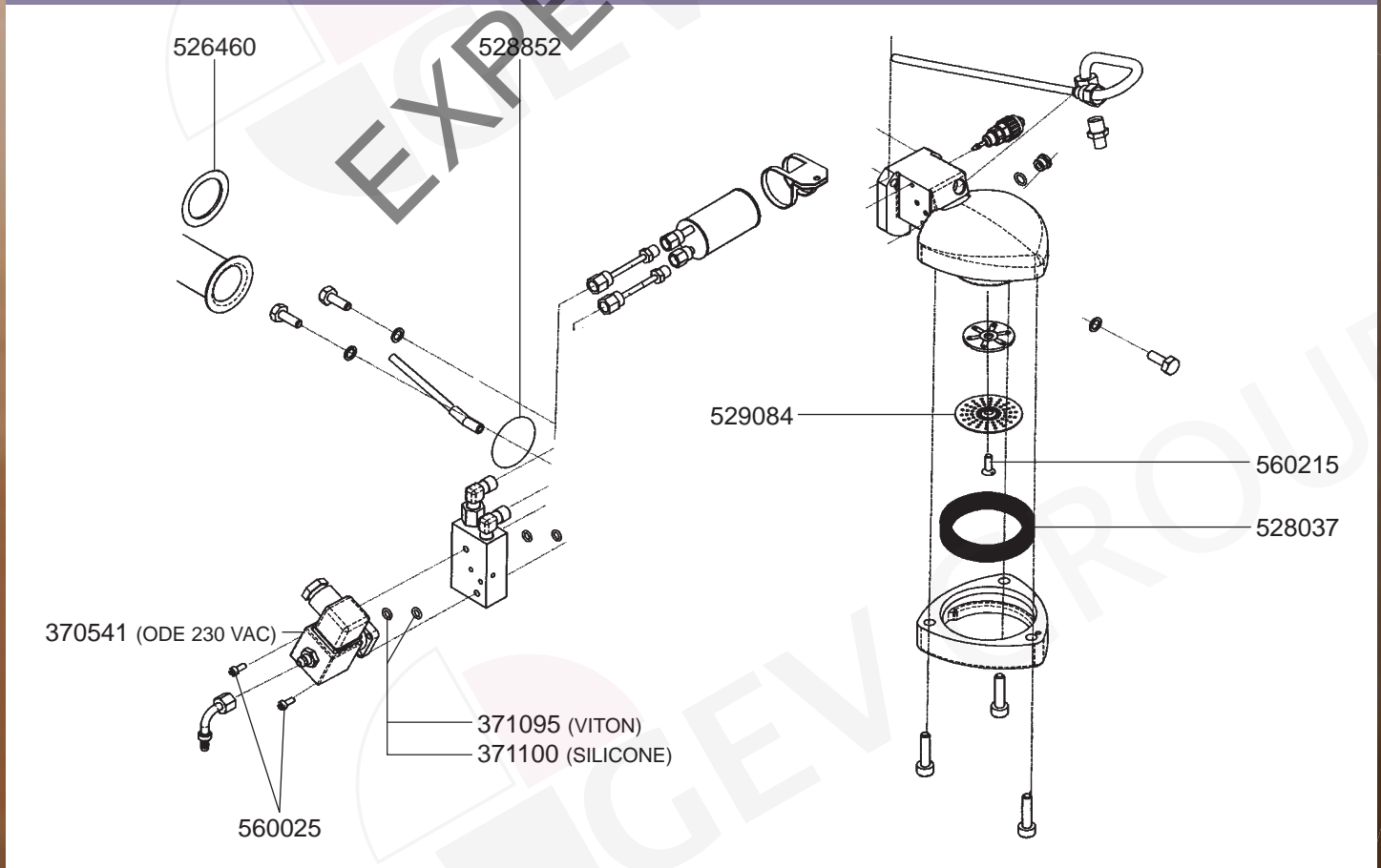


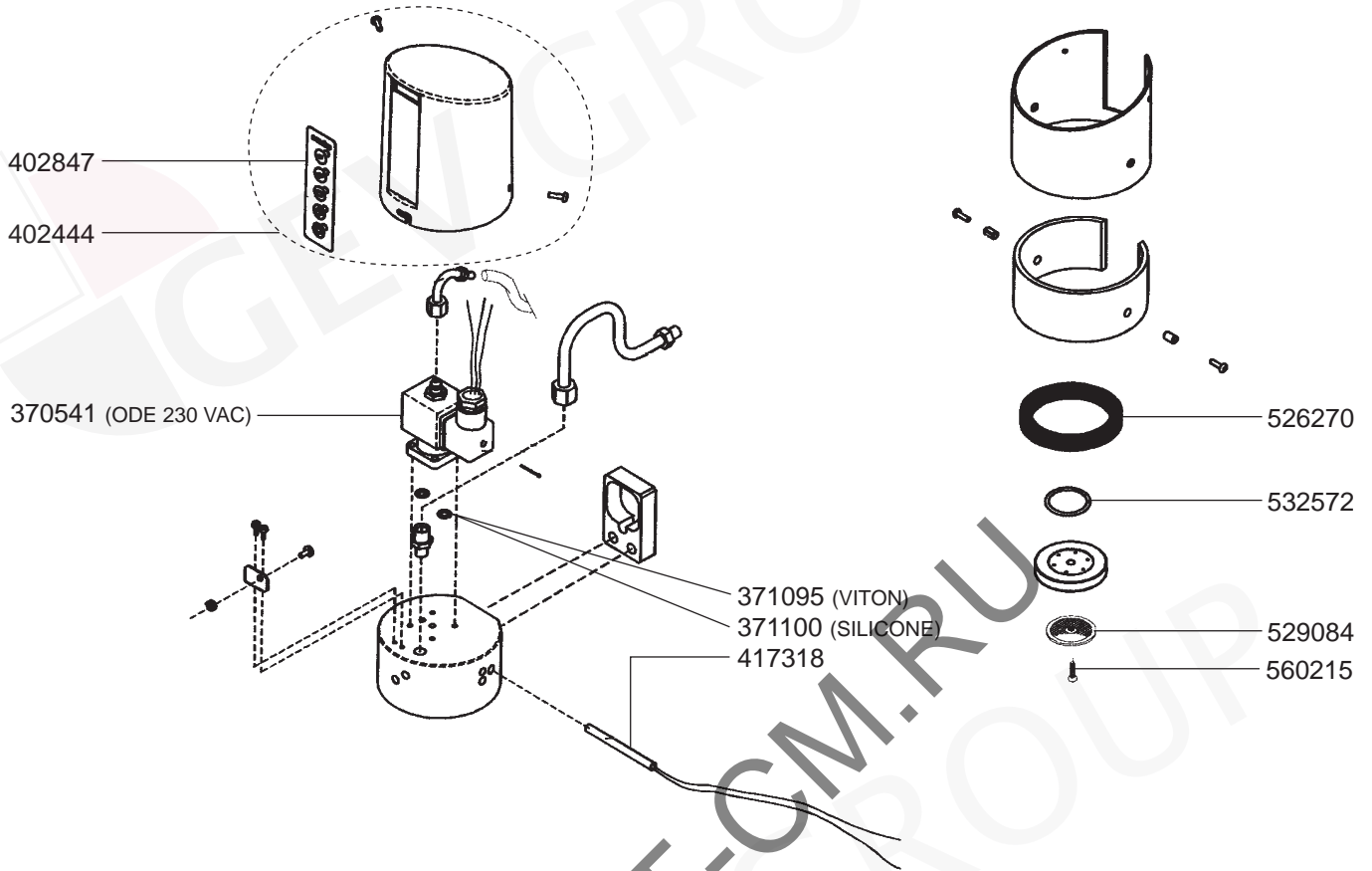
GROUP VIVA E/VIVA S/LC/XL PALLAS



GROUP VIVA S (GID 2008)/STREAMLINE



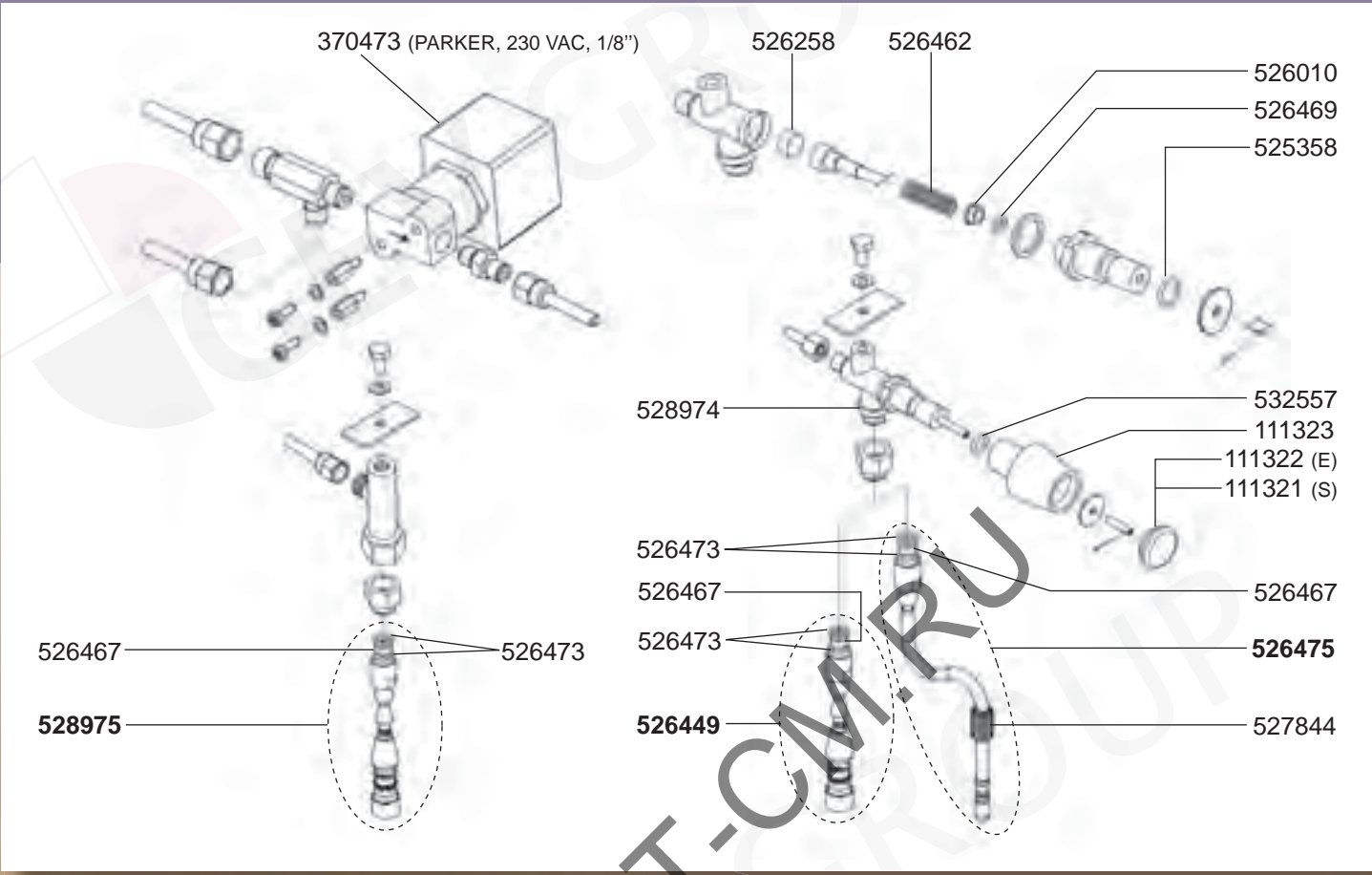
GROUP MOSAIC



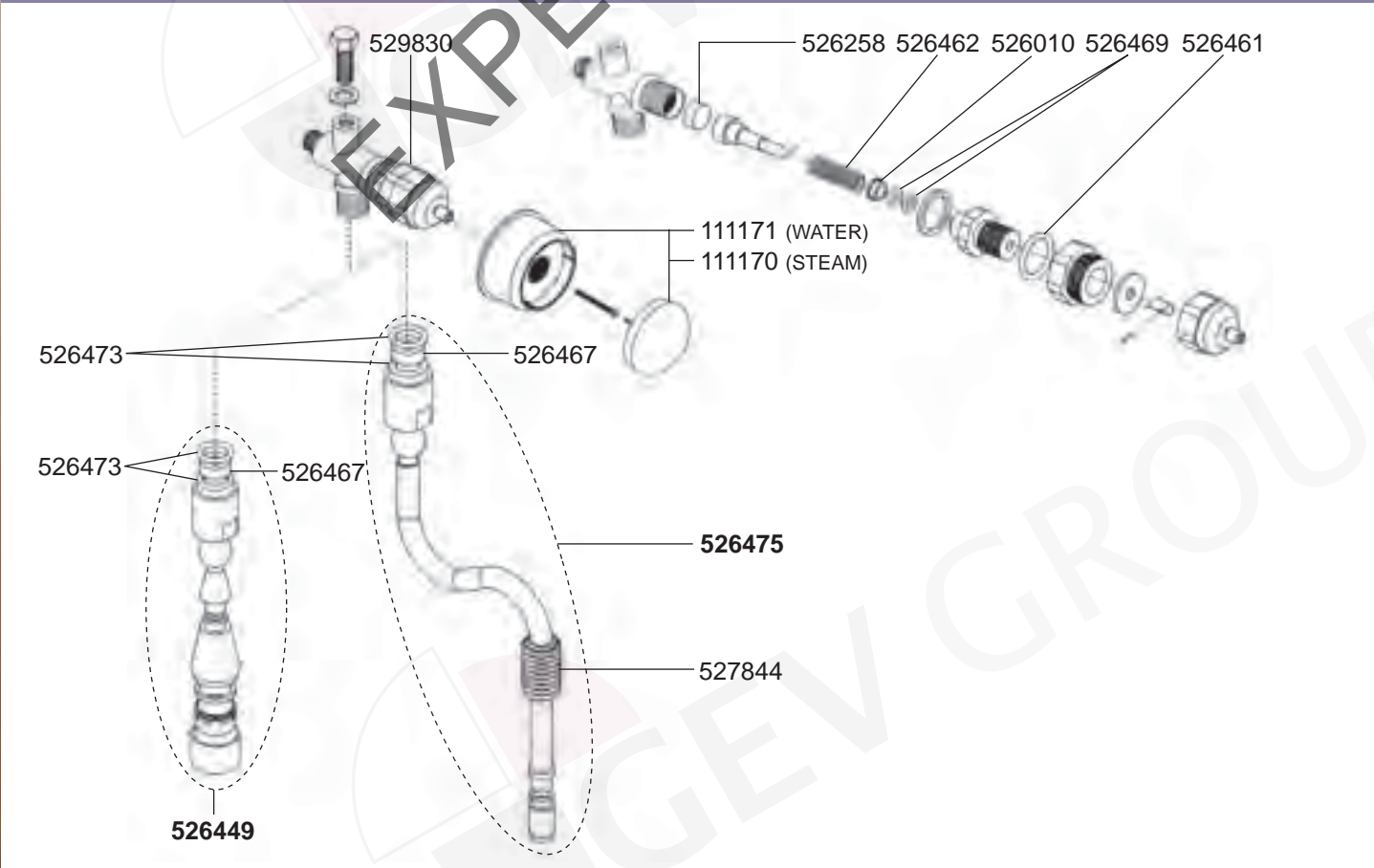
FILTER HOLDERS



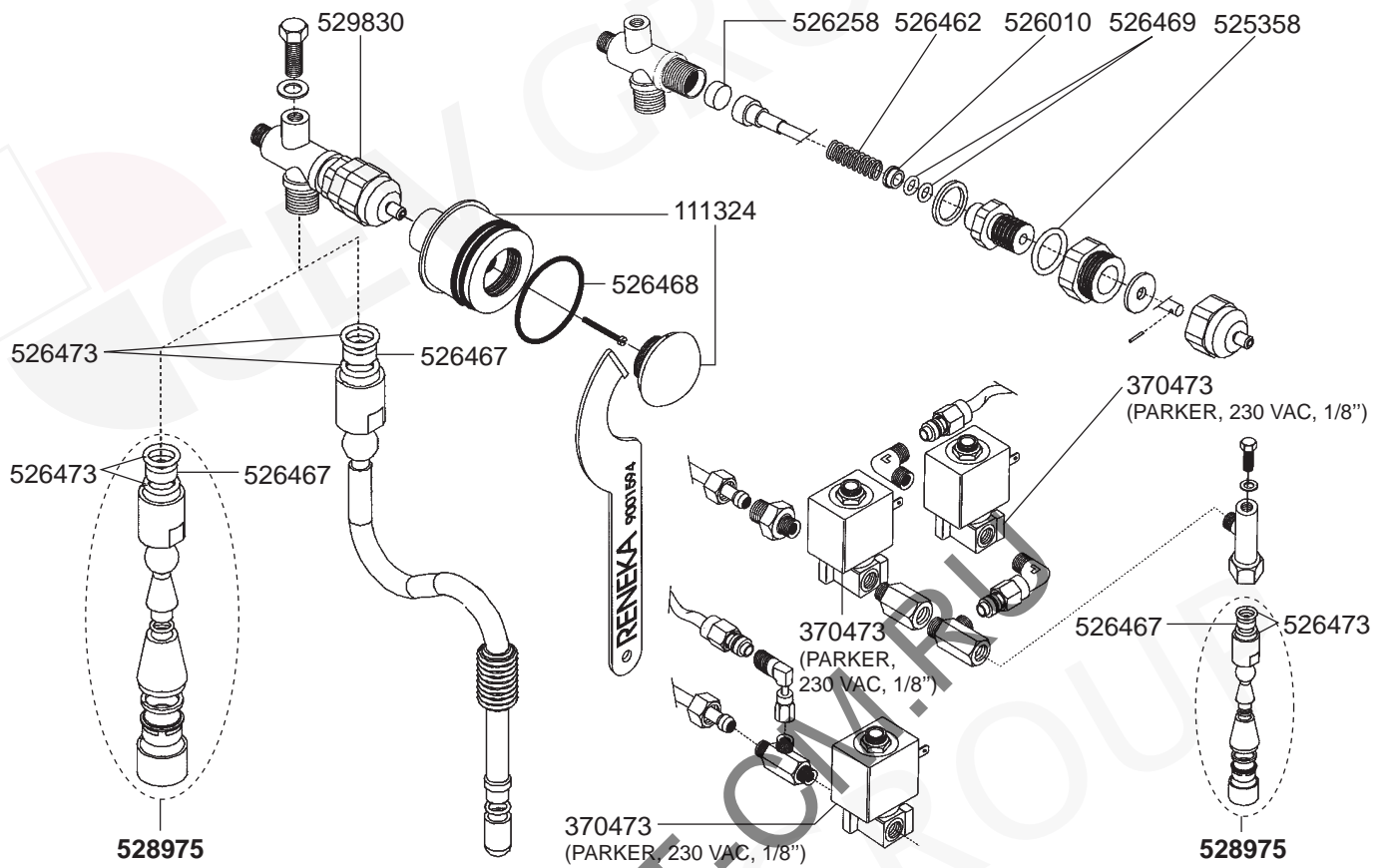
STEAM/WATER TAPS VIVA E/S



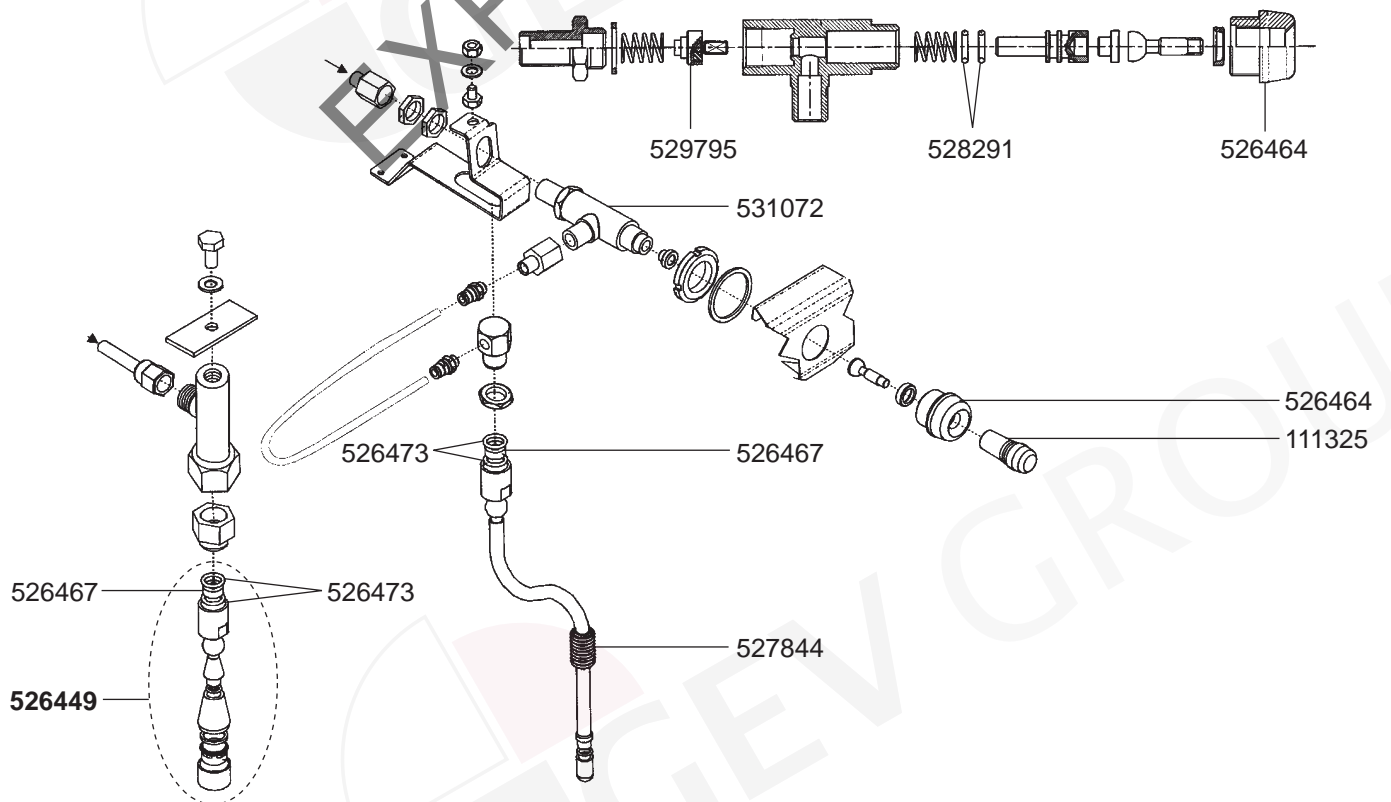
STEAM/WATER TAPS LC



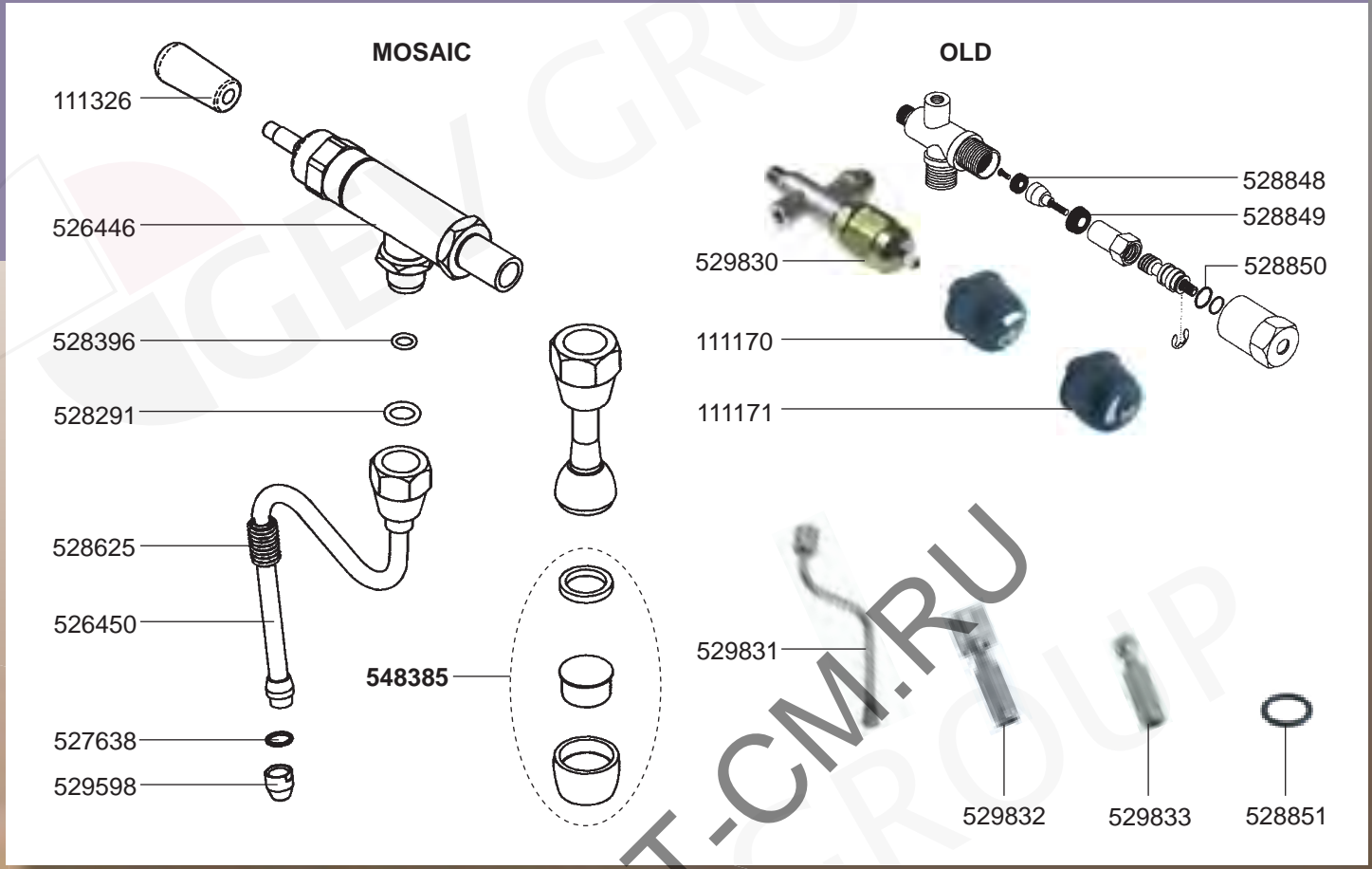
STEAM/WATER TAPS XL PALLAS



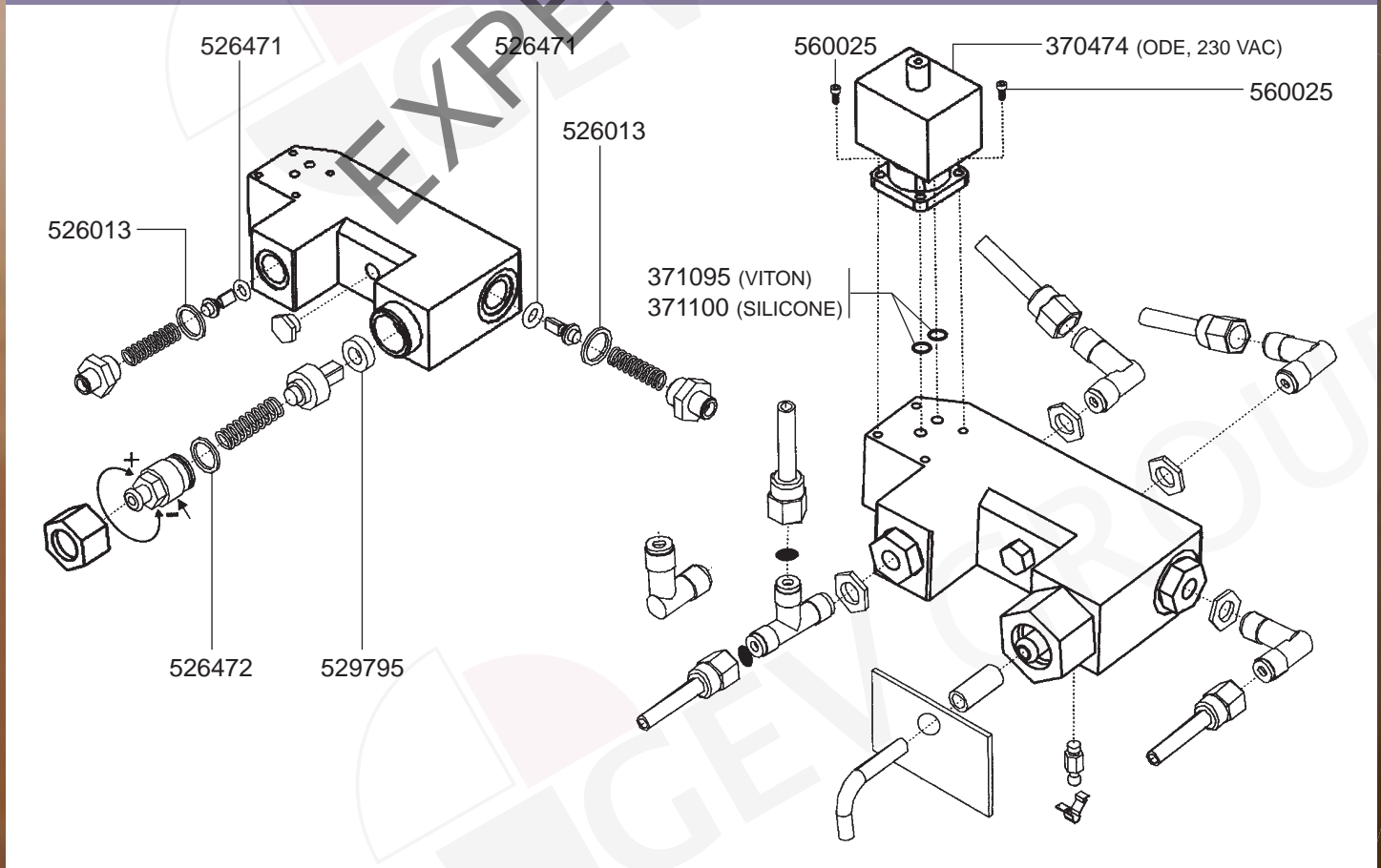
STEAM/WATER TAPS STREAMLINE



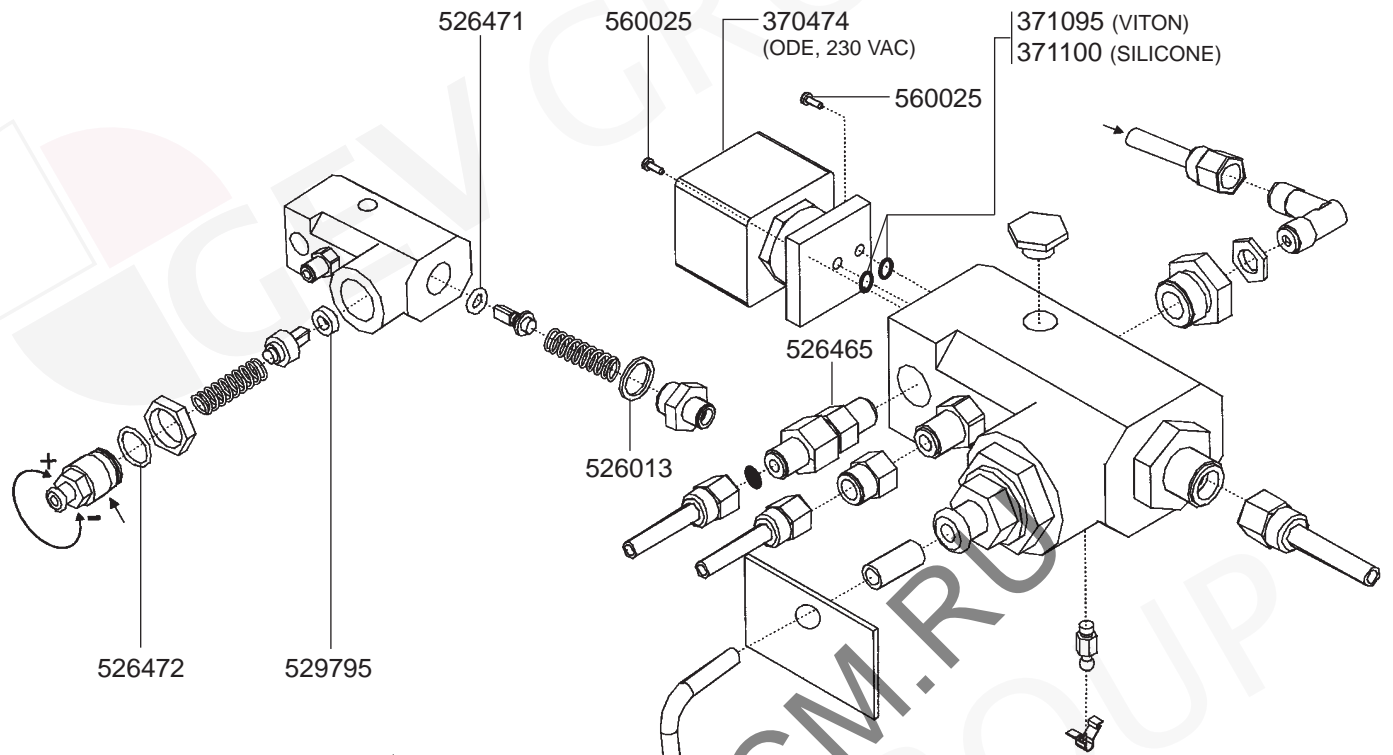
STEAM/WATER TAPS MOSAIC - OLD MODELS



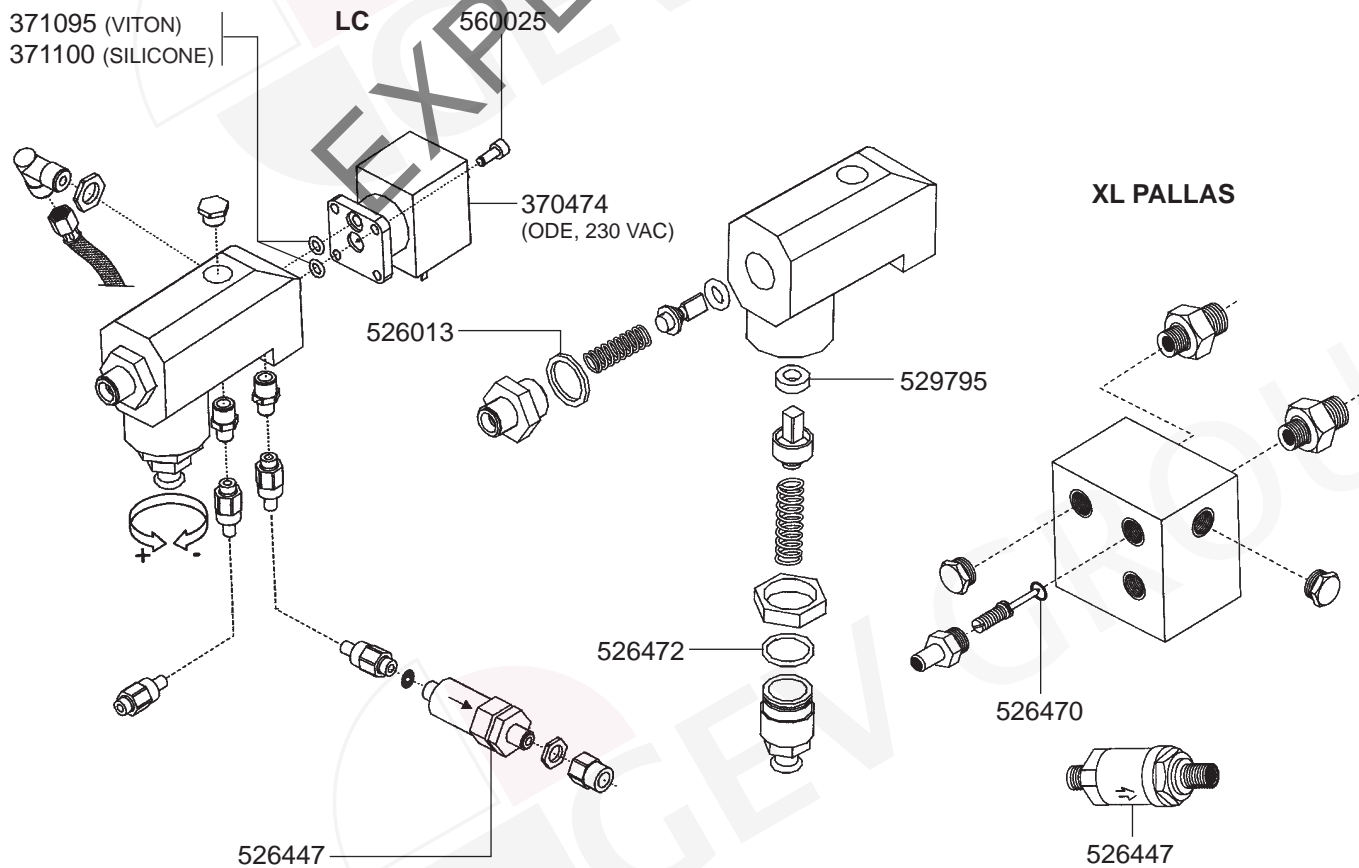
VALVES VIVA E/VIVA S 2GR/STEAMLINE



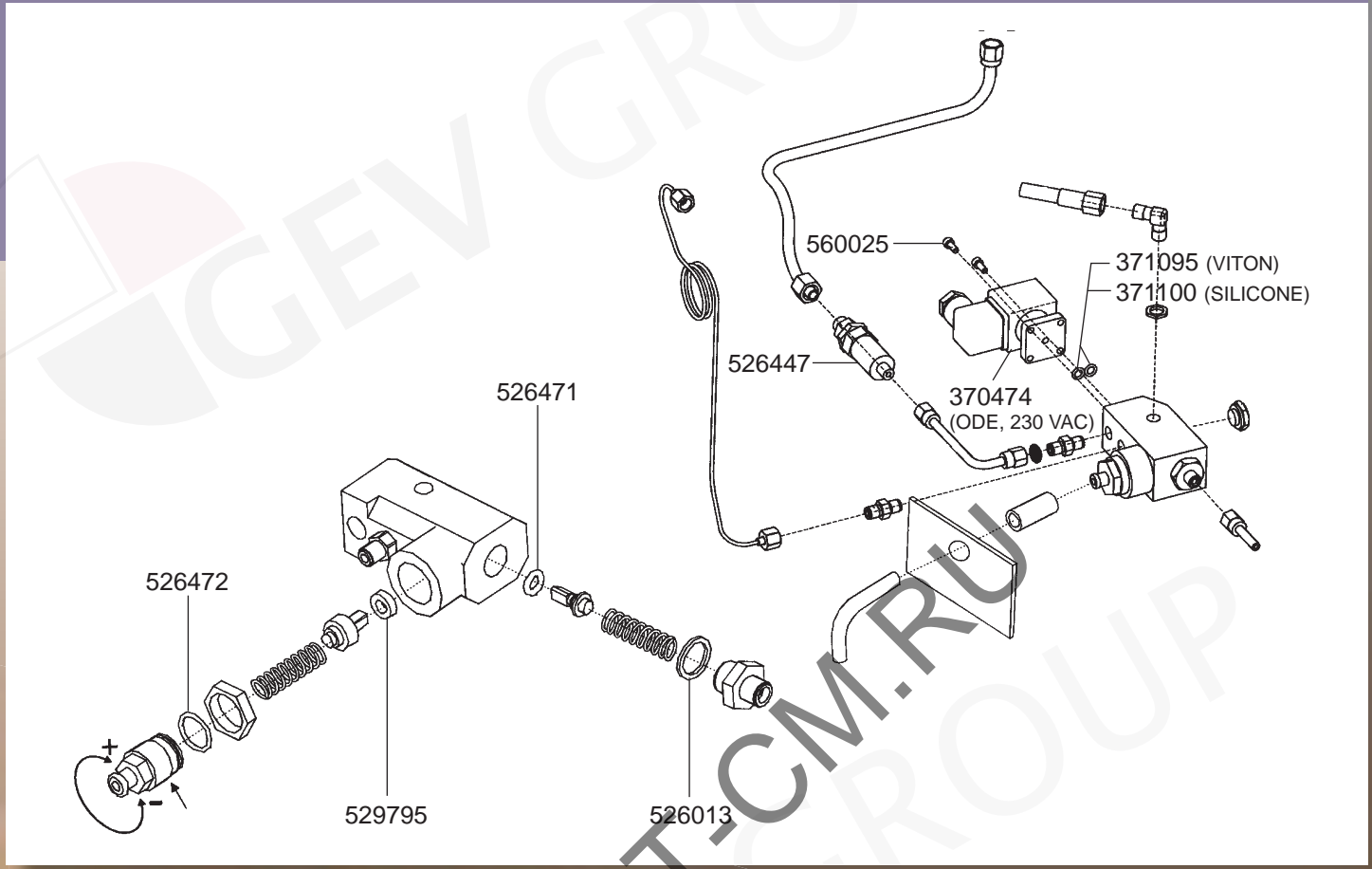
VALVES VIVA S 1GR



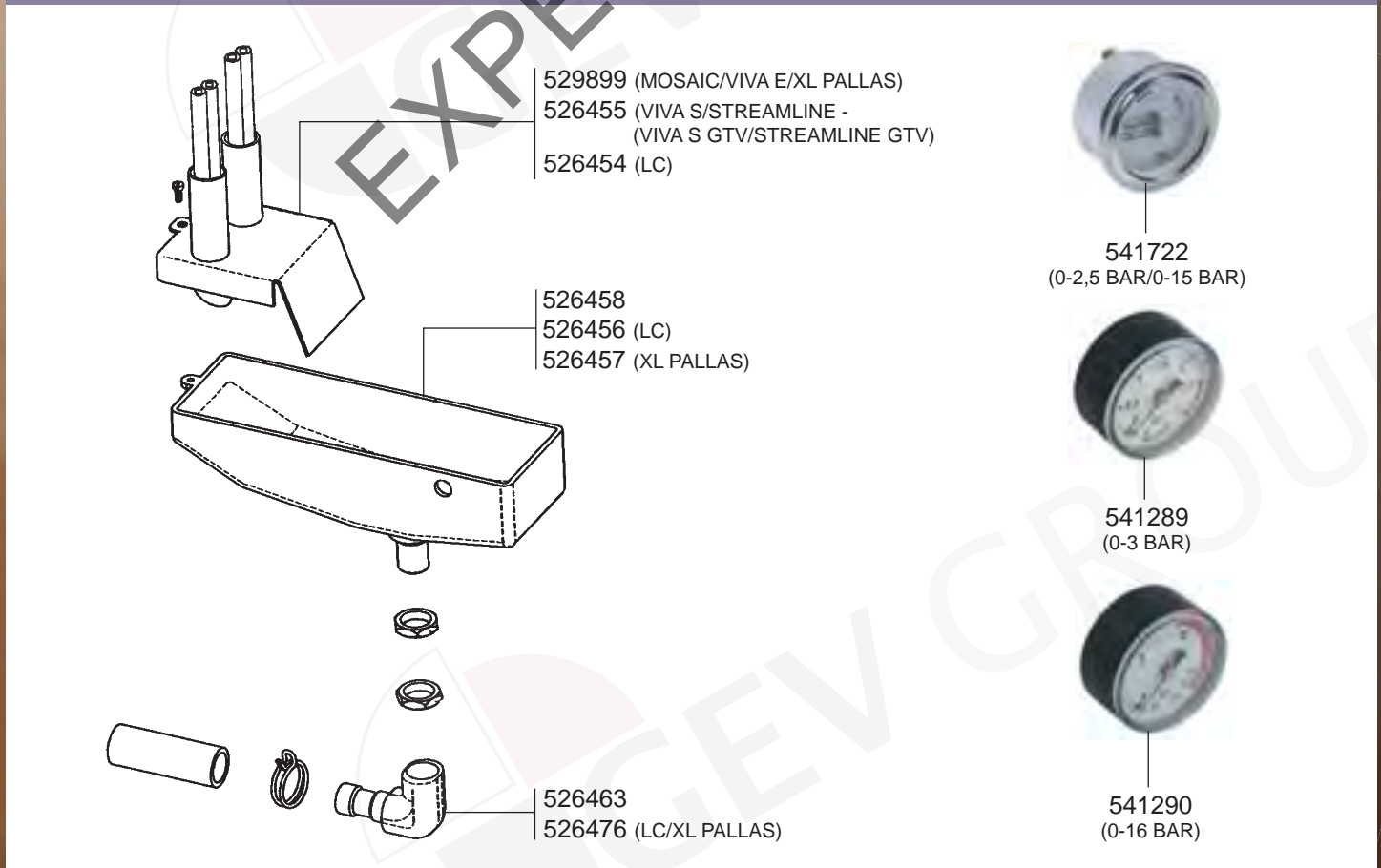
VALVES LC/XL PALLAS



VALVES MOSAIC



DRIP TRAY/MANOMETERS



BOILER VARIOUS



529306
(1/2")



529305
(3/8")



529360
(1/2")



529349
(3/8")



401654 (L = 95 mm)
401655 (L = 131 mm)

MOSAIC



526459



417299 (230/400 VAC-3130/4700W-11 Lt)
417298 (230 VAC-3100W-8,5 lt-11 Lt)



526448

STREAMLINE



417316 (2 GR-230/400 VAC-4500W)
417317 (3 GR-230 VAC-5465W)

VIVA E/S LC XL PALLAS



528847



417449 (1 GR-230 VAC-2100W)
417137 (2 GR-230 VAC-3100W-SINGLE PHASE)
417450 (2 GR-230 VAC-3800W-THREE PHASE)
417438 (3 GR-230 VAC-4000W-SINGLE PHASE)
417451 (3 GR-230 VAC-5500W-THREE PHASE)

ELECTRICAL COMPONENTS MOSAIC/VIVA E-S



402847



402434 (GICAR ref 9.5.32.01G00)



402433 (GICAR ref 9.5.22.91G)

MOSAIC



347081



380687

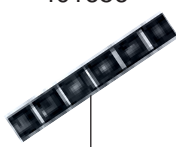


401643



401656

VIVA E/S



401645



401646



401652 (GICAR ref 9.5.22.02G02)



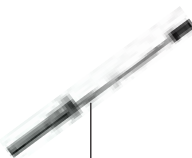
346922 (E)



359896 (E)



380687



401656



346923 (S)



347087 (S)



401643



401647



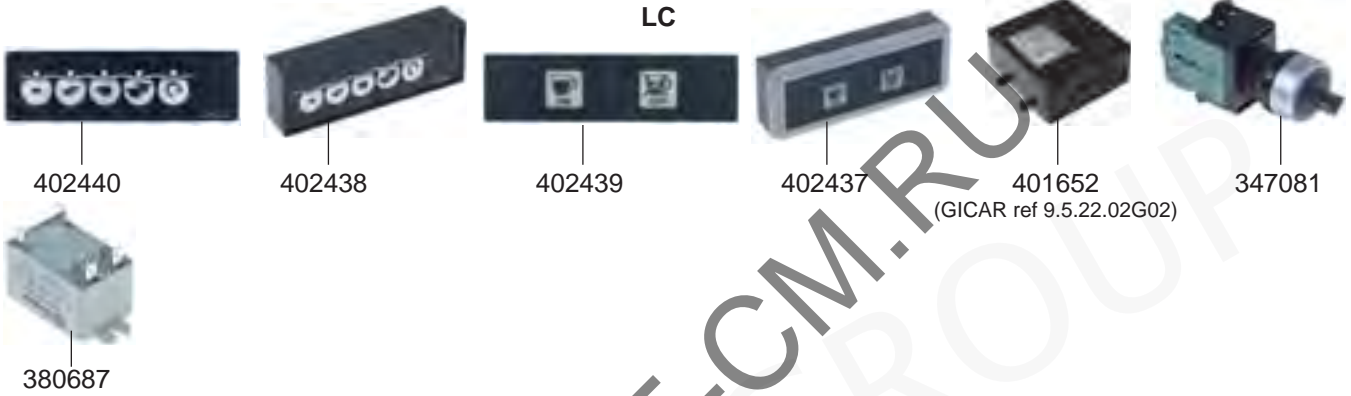
401650

ELECTRICAL COMPONENTS STREAMLINE/LC

STREAMLINE



LC



ELECTRICAL COMPONENTS XL PALLAS

XL PALLAS



VIVA



ELECTRICAL COMPONENTS VARIOUS



400004



400256



400257



400258



541021 (SIRAI,
30 AMP, 3 POLES)



541724
(SIRAI, 20 AMP,
3 POLES)



541723
(SIRAI, 20 AMP,
2 POLES)



541453
(PARKER)



370057
(PARKER 230 VAC)
370053
(LUCIFER 230 VAC)



370062
(PARKER)
370061
(LUCIFER)



370206
(PARKER 230 VAC-1/8")
370072
(LUCIFER 230 VAC-1/8")



370202
(PARKER, 230 VAC)
370211
(LUCIFER, 230 VAC)



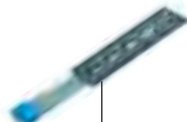
371029
(PARKER 230 VAC)
371031
(LUCIFER 230 VAC)



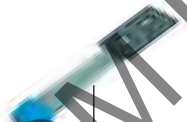
371090



371095 (VITON)
371100 (SILICONE)



400486
(COFFEE)



400487
(WATER)

EXPERT-GM-RU